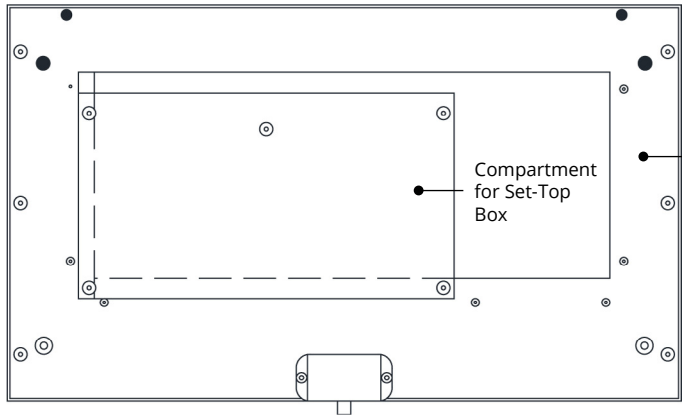


PARTS

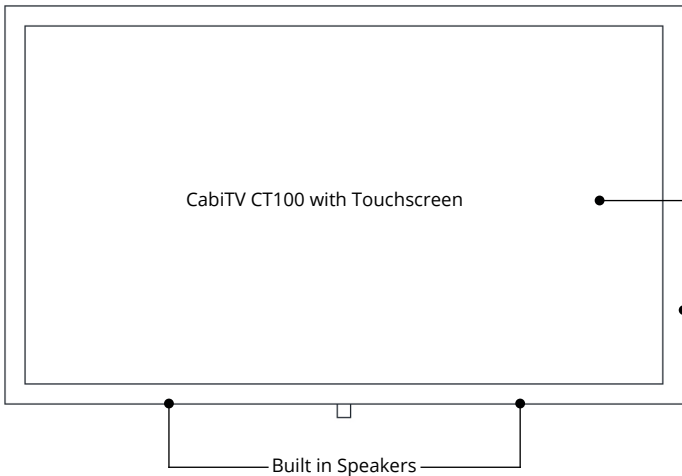
Back View of CabiTV CT100



Light Weight Aluminum Back

Compartment for Set-Top Box

Front View of CabiTV CT100



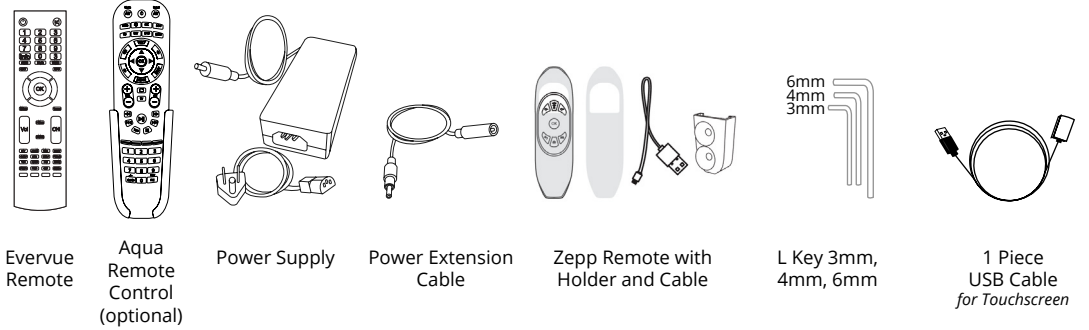
CabiTV CT100 with Touchscreen

LED HDTV, 1080p

ON / OFF Button

Built in Speakers

Accessories



Evervue Remote

Aqua Remote Control (optional)

Power Supply

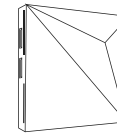
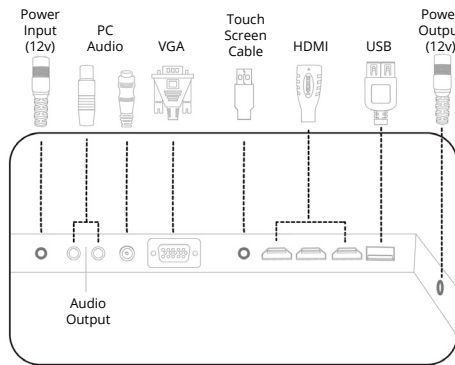
Power Extension Cable

Zepp Remote with Holder and Cable

L Key 3mm, 4mm, 6mm

1 Piece USB Cable for Touchscreen

Ports

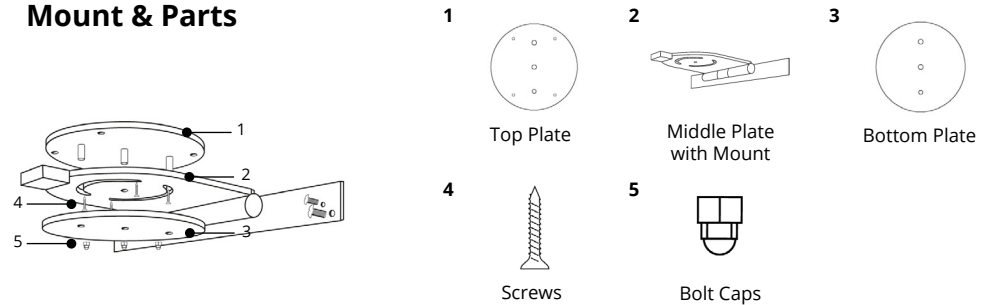


Android Box



1 Piece HDMI Cable

Mount & Parts



1



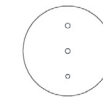
Top Plate

2



Middle Plate with Mount

3



Bottom Plate

4



Screws

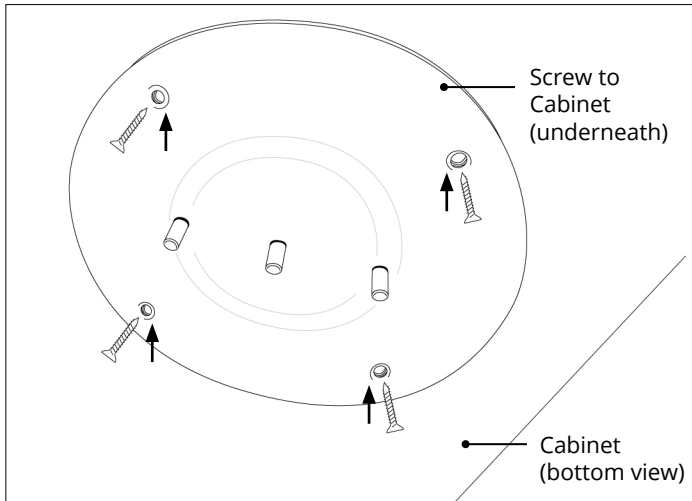
5



Bolt Caps

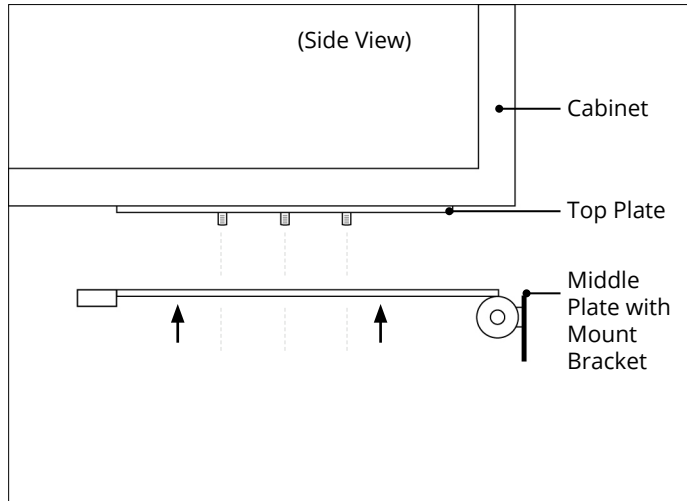
1 Unboxing

Upon receiving your order, open the crate and inspect the content. Damages must be reported within 24 hours.



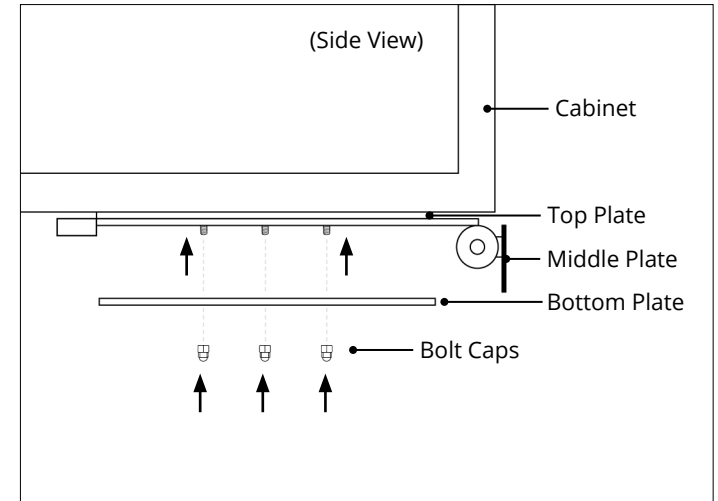
1 Install the Top Plate

Plan where you're going to install your TV. Mark the side of the cabinet where the top plate would be mounted then drill holes into it. Screw the mount base under the cabinet using the screws provided.



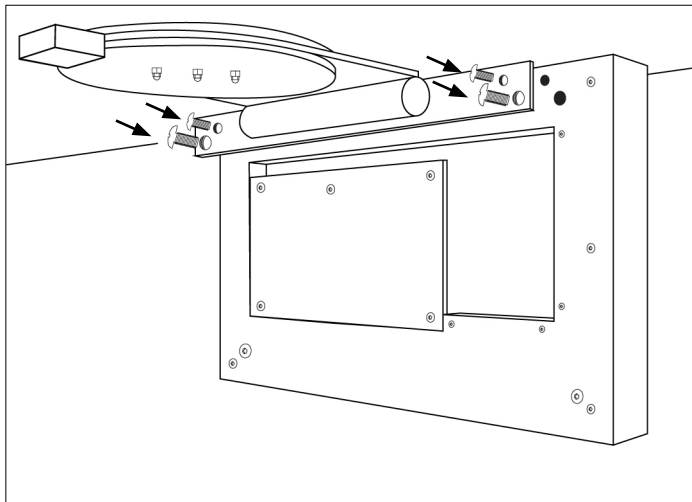
2 Attach the Middle Plate with Mount Bracket

Attach the middle plate to the top plate by inserting the mount base's screws into the middle plate's holes.



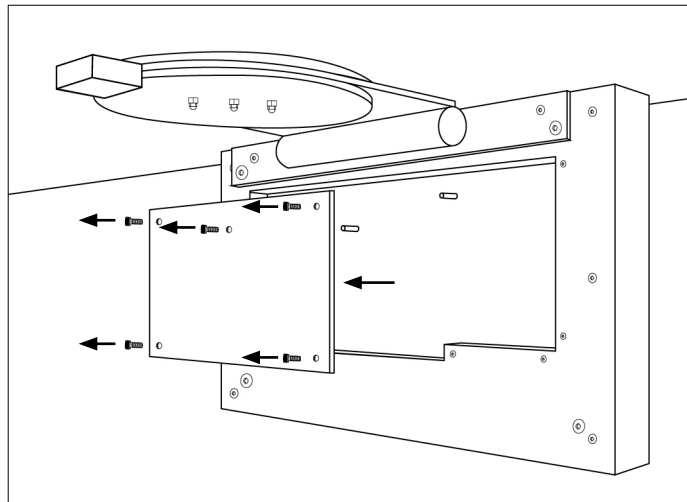
3 Attach Bottom Plate

Attach the bottom plate to the middle plate by inserting the screws into the plate's holes. Secure it with bolt caps afterwards.



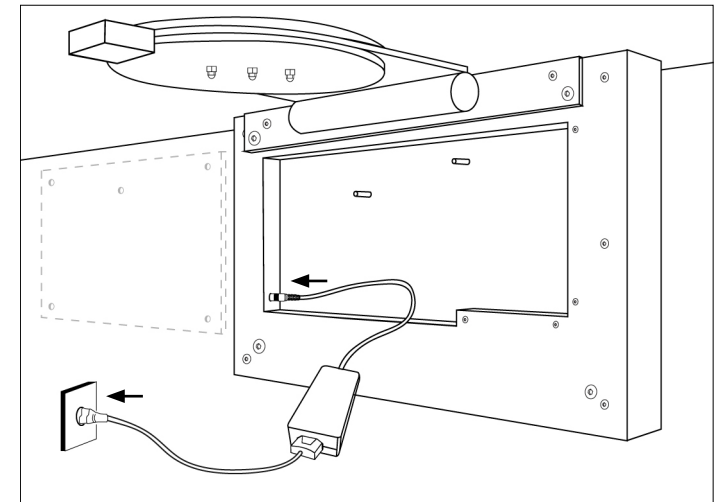
4 Attach the CabiTV CT100

Attach the CabiTV CT100 to the mount bracket and secure it using the bolt screws provided.



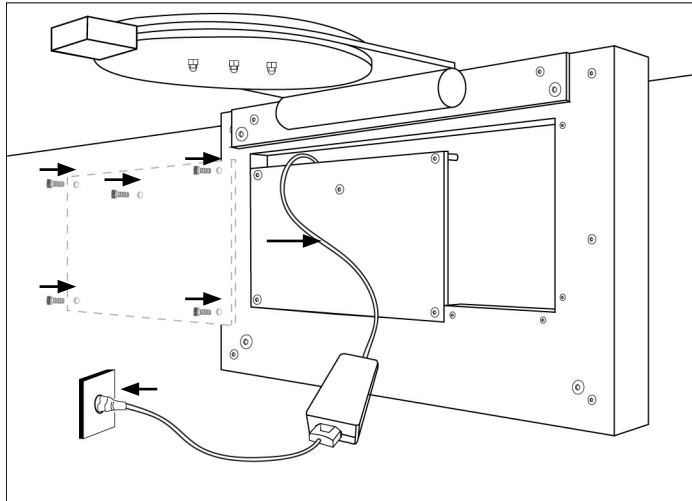
5 Open the Set Top Box Compartment

Remove the screws to open the the set top box compartment.

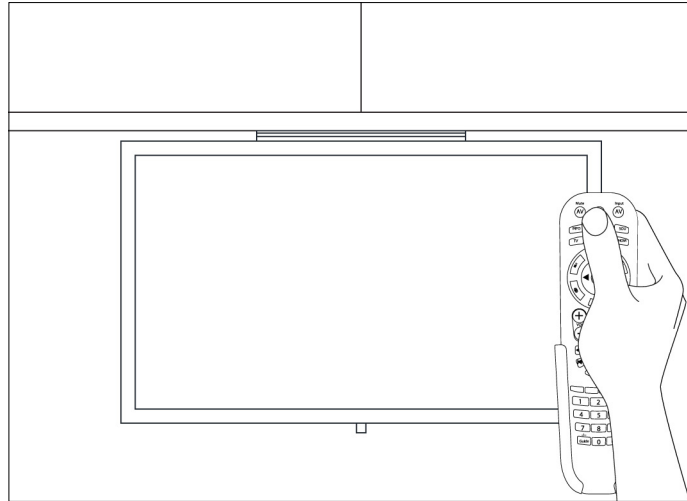


6 Plug the Power Supply

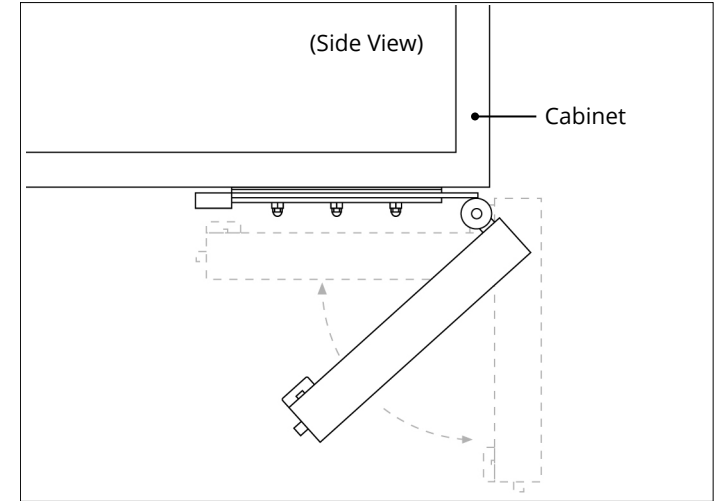
Connect the power supply to the power input port located at the back of the TV and plug the other end to your power source.



- 7 Close the Set Top Box Compartment**
Return and close the cover of the compartment located at the back of the CabiTV after plugging the power supply. Screw the compartment to secure the cover.



- 8 CabiTV CT100 is Ready**
Turn the CabiTV on using the Aqua Waterproof Universal Remote Control or press the power button on the right side then personalize your TV.



- 9 Flip and Keep your CabiTV**
When you're not using the CabiTV, push the screen inward to save some space under the kitchen cabinet and pull to use.