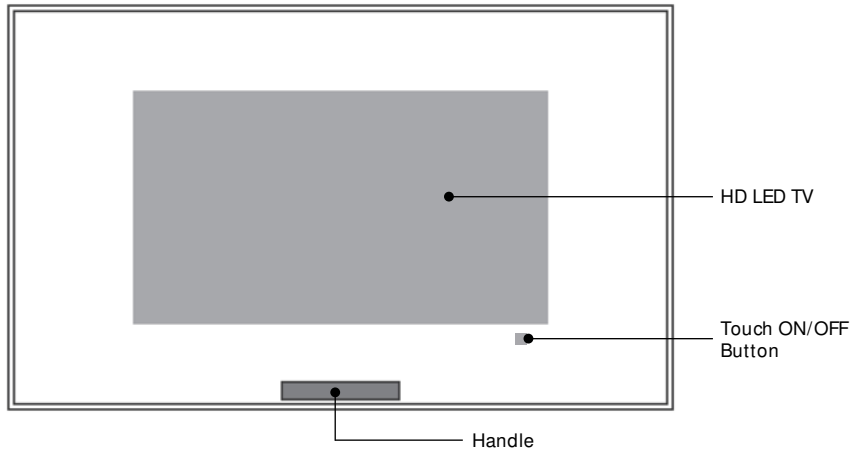
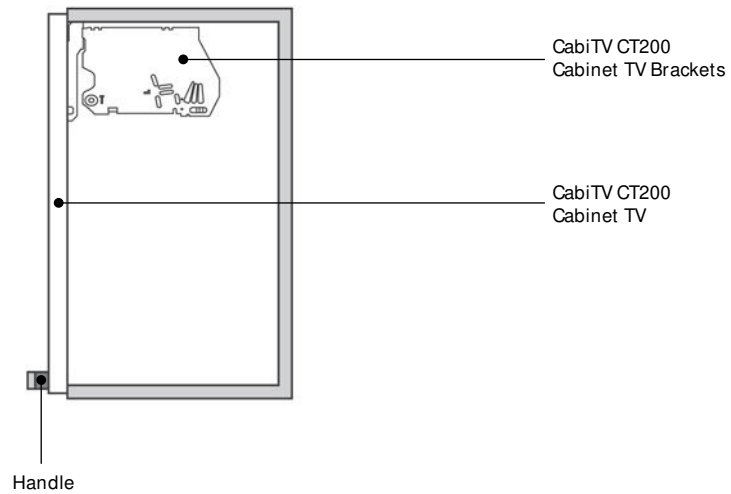


PARTS

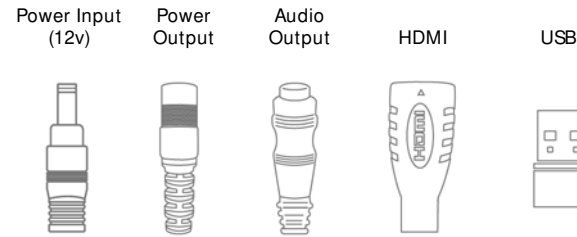
Front View of CabiTV CT200



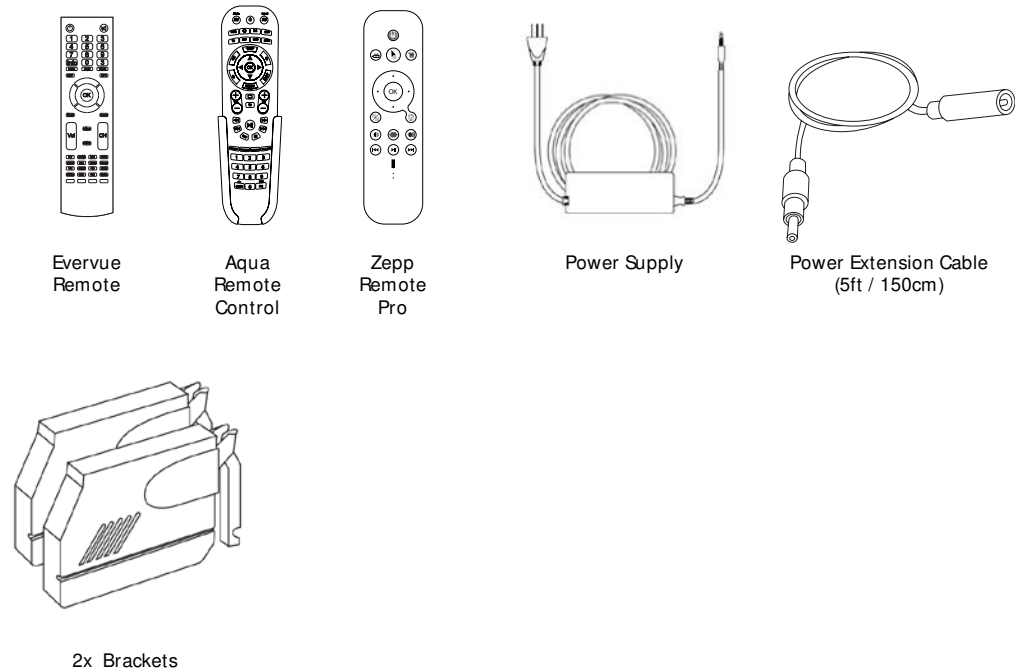
Right Side View of CabiTV CT200



TV Ports

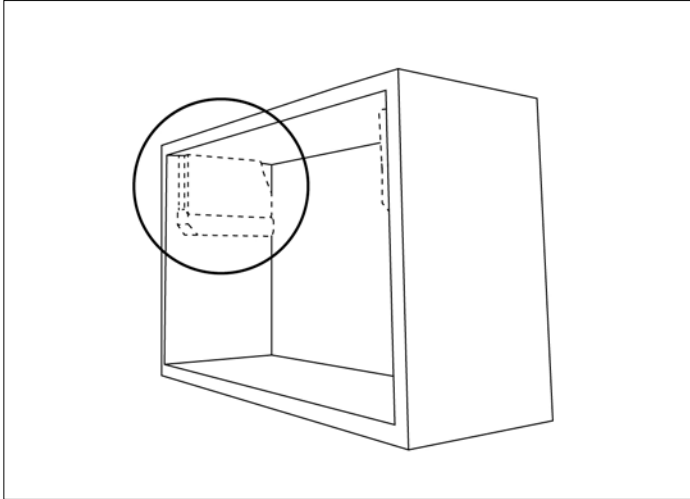


Accessories



1 Unboxing

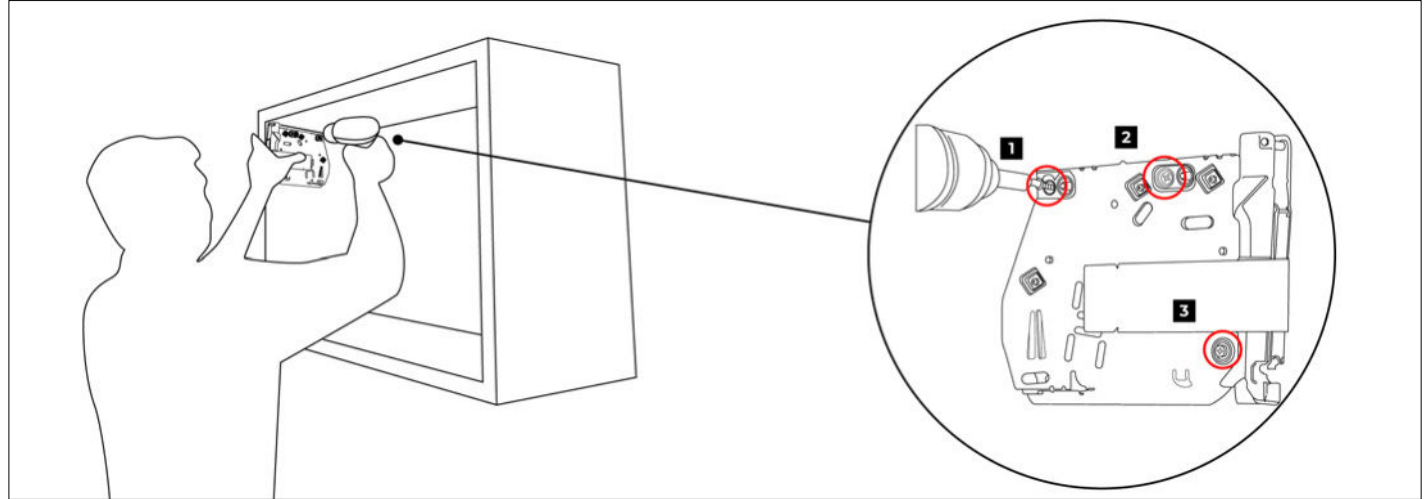
Upon receiving your order, open the crate and inspect the content. Damages must be reported within 24 hours.



2 Plan the Installation of CabiTV CT200

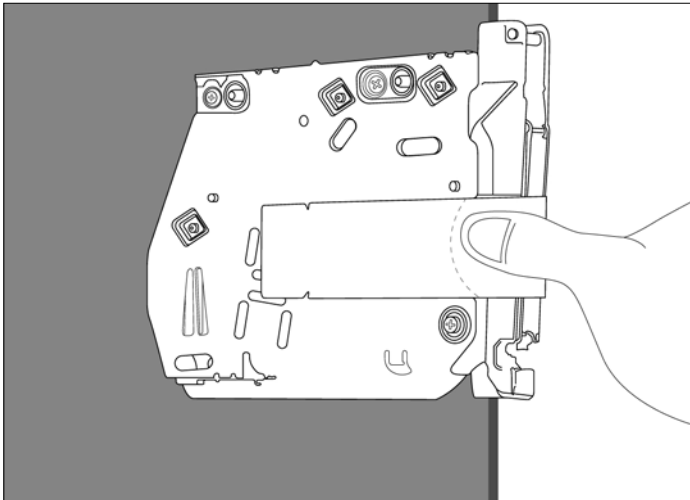
Plan where you will install the CabiTV CT200. The unit is custom made to fit in your cabinet.

Note: Install the bracket exactly on the right location.



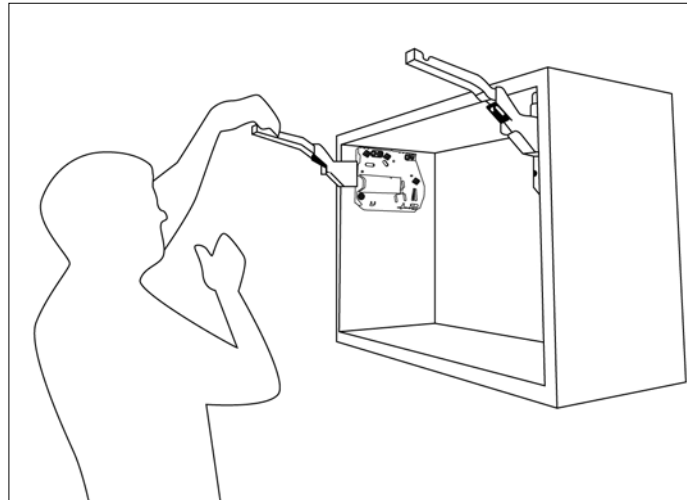
3 Install the Brackets

Install the brackets inside the cabinet. Screw the brackets on the points shown above.



4 Remove the Seal

Remove the seal of the bracket by pressing it inwards. Pull off the seal afterwards.



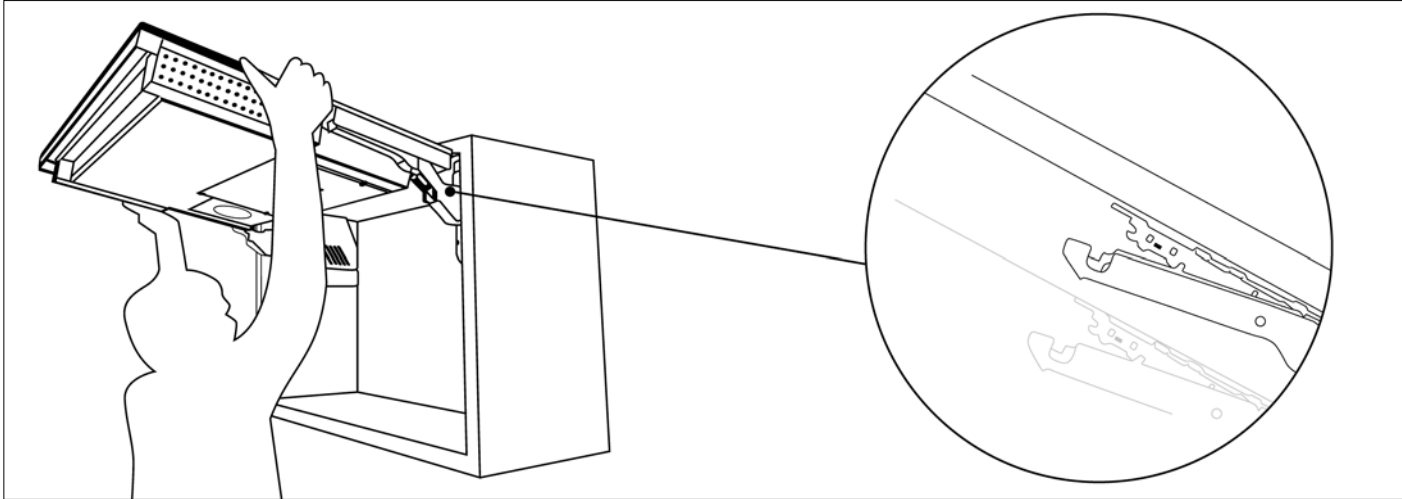
5 Pull the Arm Brackets

Pull the arm brackets gently towards you.



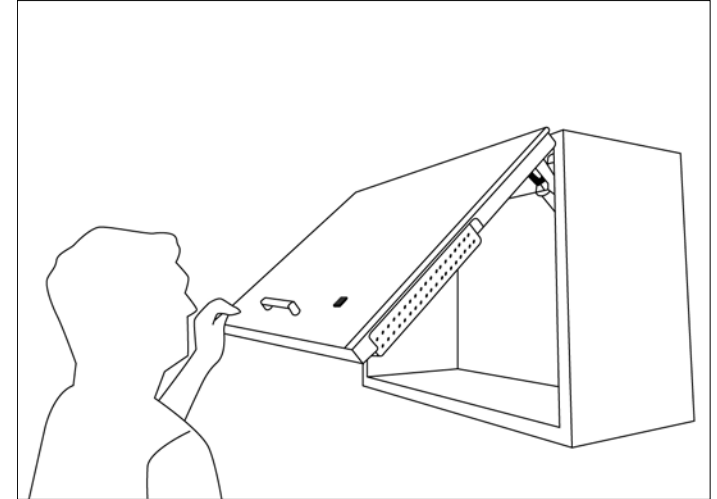
6 Safety Precaution: Lever Springs Upward

There is a danger of injury if the lever springs upward. After opening, do not push down on the lever.



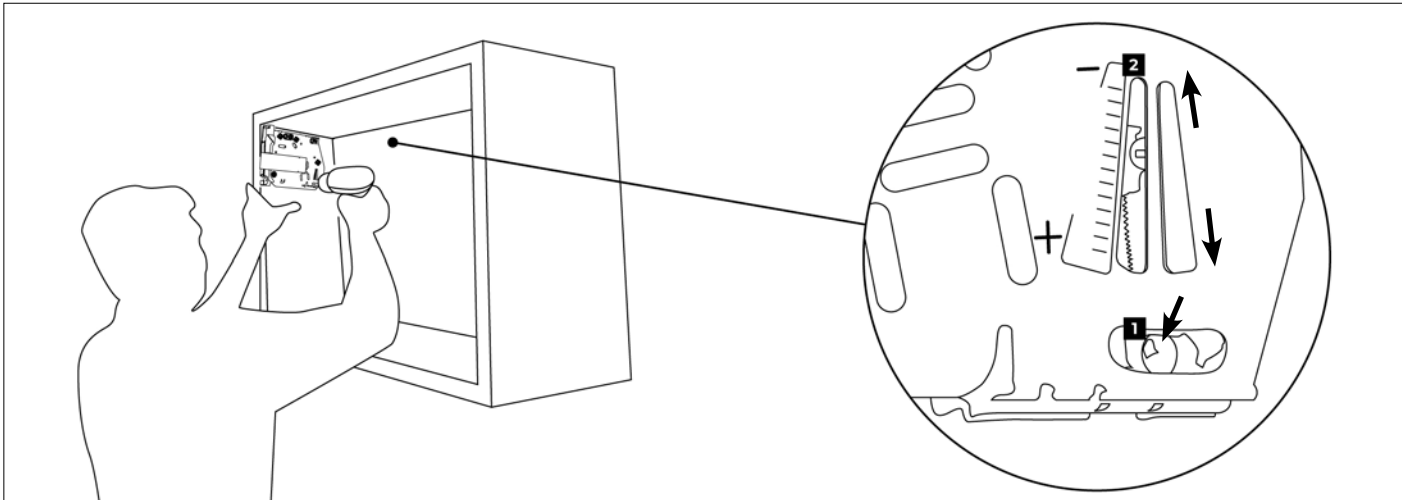
6 Attach the CabiTV CT200

Make sure that the arm brackets “click” into the TV unit. Ask for assistance when attaching the CabiTV CT200 to avoid injuries.



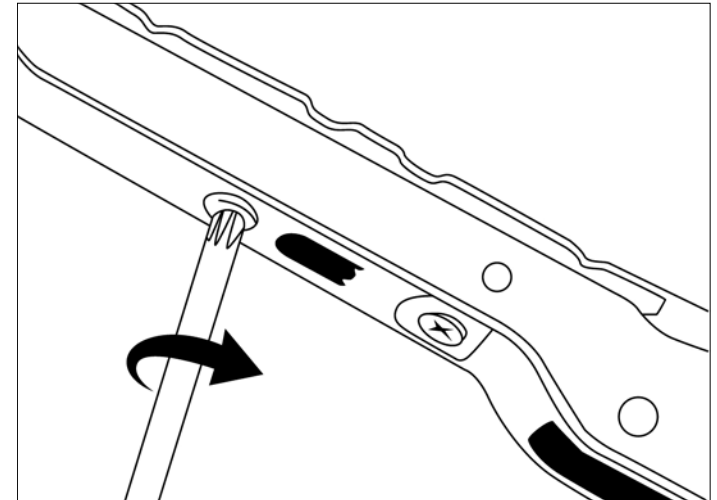
7 Test the CabiTV CT200

Test the CabiTV CT200 by closing and opening a few times.



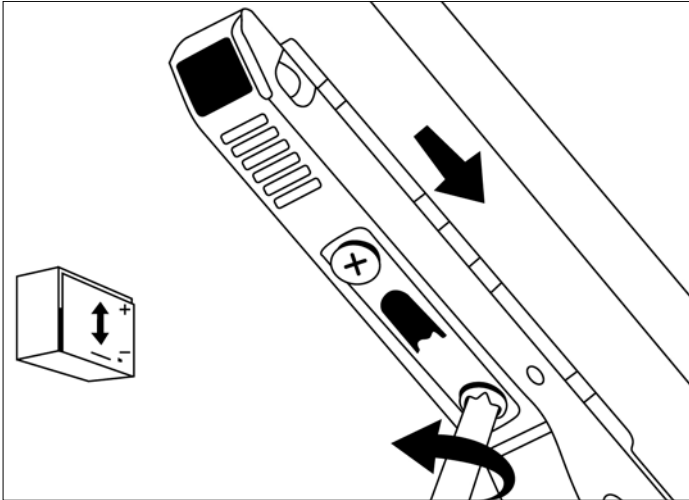
8 Adjust the Strength of Arm Brackets

With the screw provided, you can adjust the CabiTV CT200 up and down to make it fit.

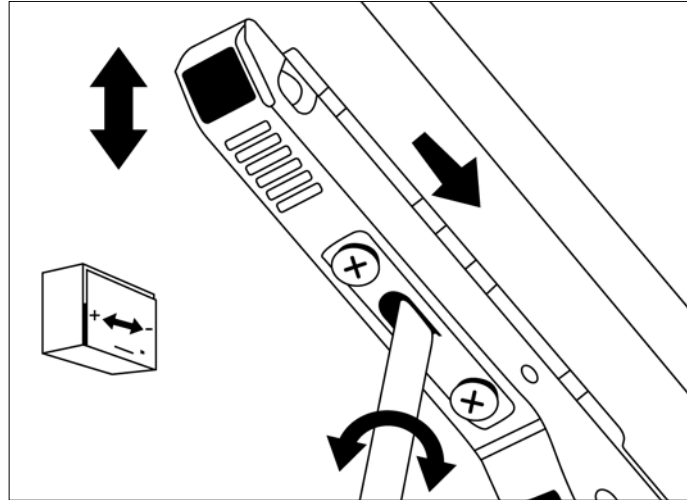


9 Tighten Screws

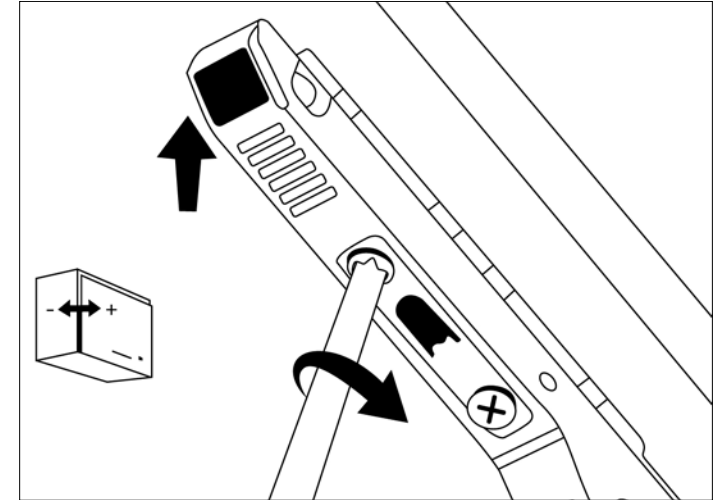
Tighten the screws on both arms.



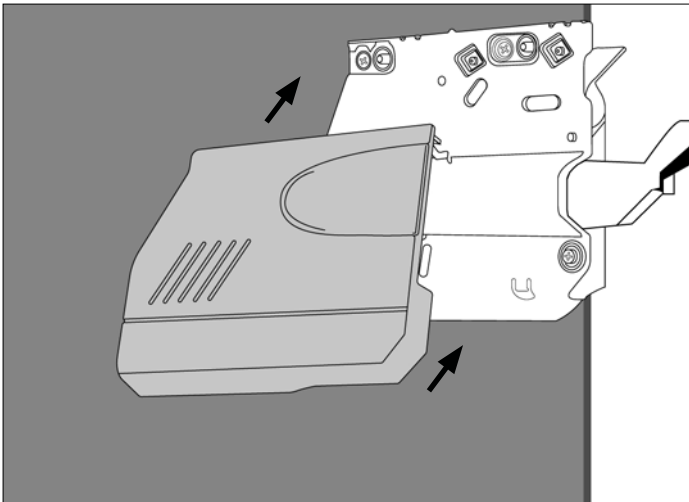
10 Adjust the CabiTV CT200 Up and Down
With the screw provided, you can adjust the CabiTV CT200 up and down to make it fit.



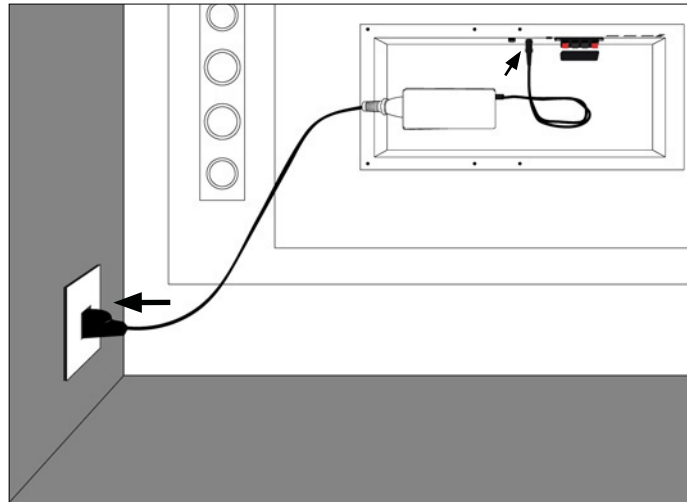
11 Adjust the CabiTV CT200 Left and Right
With the screw provided, you can adjust the CabiTV CT200 left and right to make it fit.



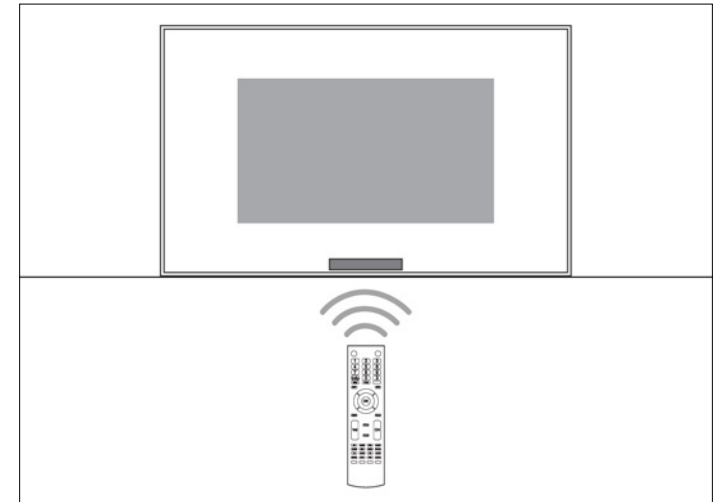
12 Adjust CabiTV CT200 when Closing
With the screw provided, you can move the CabiTV CT200 towards you in closed position.



13 Cover the Brackets
Cover the brackets after attaching the brackets with its plastic case.



14 Plug the Power Supply
Plug in the power supply of the CabiTV CT200 or plug in the HDMI or VGA depending on the configuration.



15 CabiTV CT200 is Ready
Turn the CabiTV CT200 on using the Evervue remote or press the power button on the front of the screen.