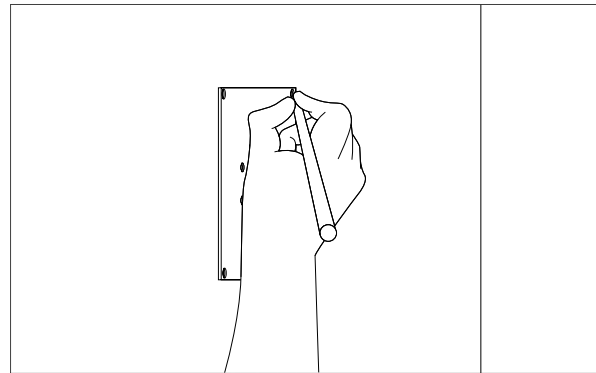


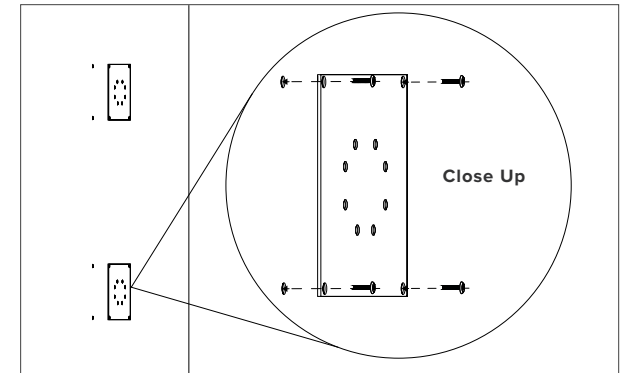
1 Check items

Upon receiving your order, open the crate and inspect the content. Damages must be reported within 24 hours.



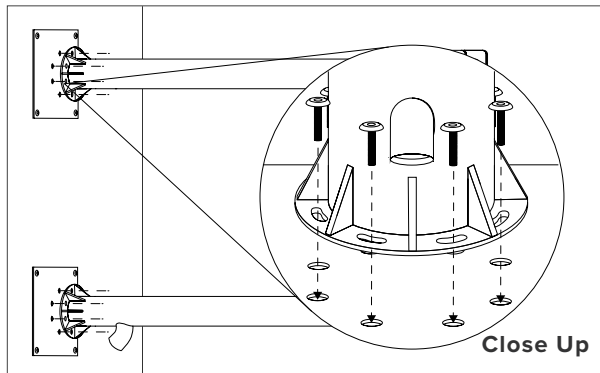
2 Mark and drill your wall

Mark the place where the base of your mount will be located. Drill holes on the wall where the screws of the base would be.



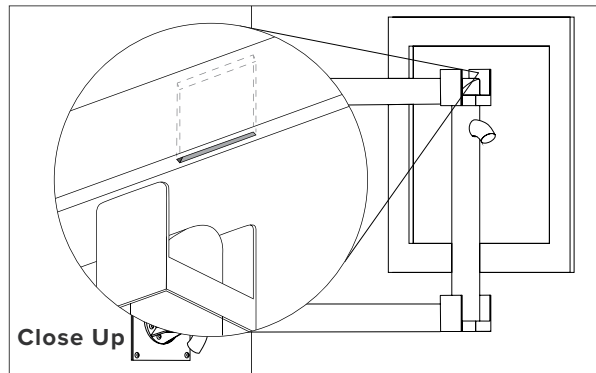
3 Attach the base

Screw the bases to the wall you prepared earlier.



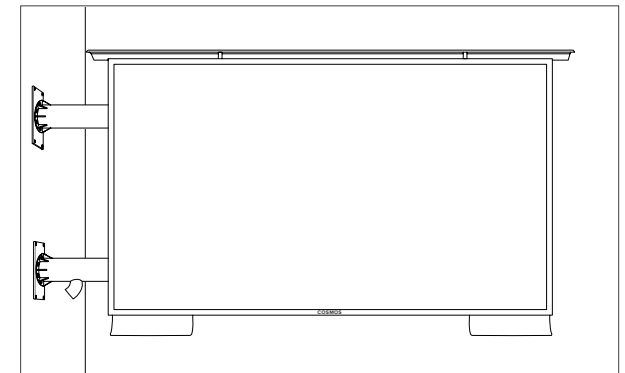
4 Assemble

Assemble the mount. Attach the tube to the base with the allen screws provided in the package. Be sure not to overly tighten the screws.



5 Attach the TV to the mount

Lift the TV and attach the VESA bracket on the mount by lowering the two square holes on both the top and the bottom portion of the VESA to the hooks on the mount pole.



6 Finished

Done. Your TV is ready to use.