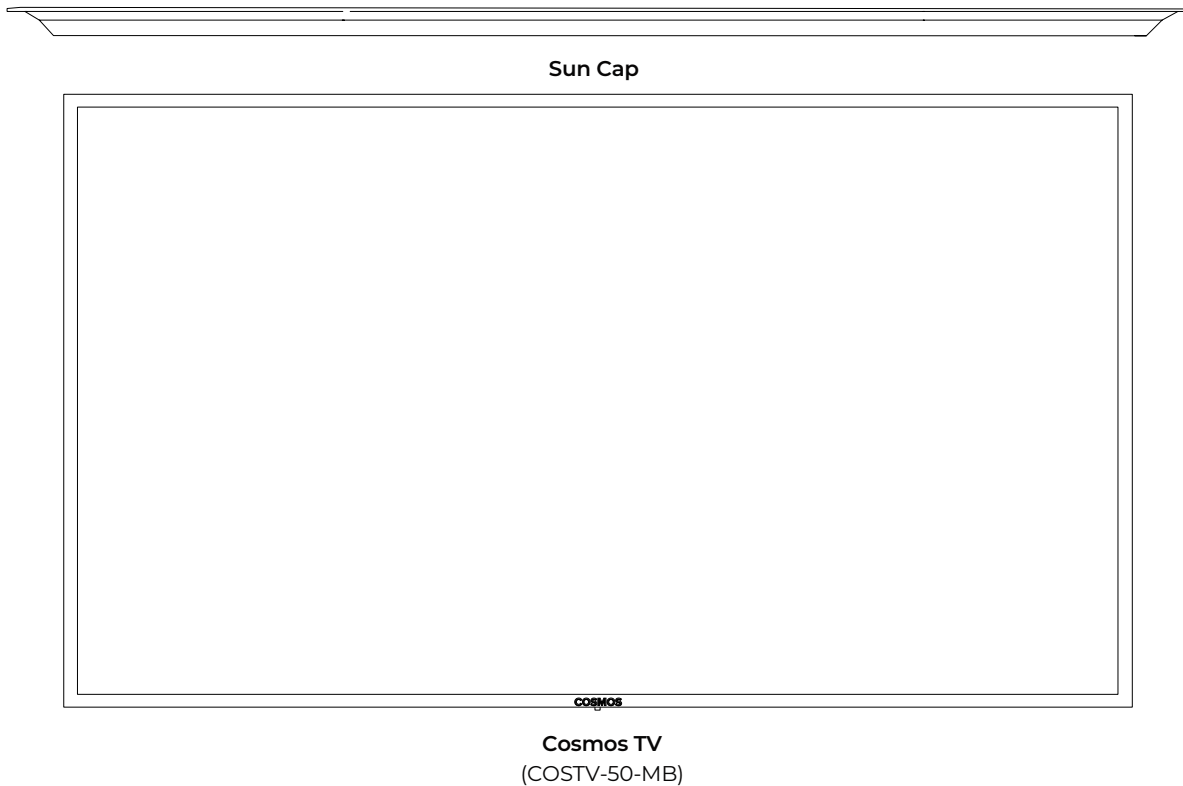


# COSMOS OUTDOOR TV PRODUCT MANUAL

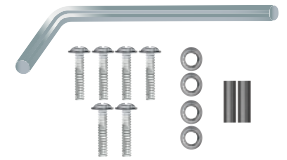




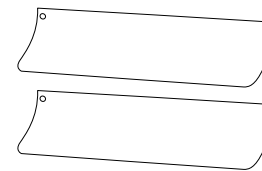
**Evervue Standard  
TV Remote**  
(RMS50)



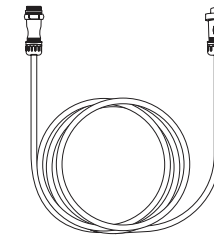
**Zepp Remote Pro with holder**  
(RM-ZEPP-BLACK)



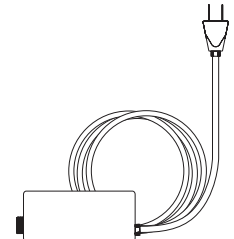
**Bolts and Tools**



**Audio Streamers**



**Power Cable**



**Power Supply**  
(24 volts DC)

When the Cosmos is installed outdoors or in a moisture-prone environment, it **MUST** remain connected to power at all times to ensure its internal ventilation system operates properly and prevents moisture buildup. Failure to do so may result in the warranty being voided.

The Cosmos must be installed with the rain cap and in a landscape position. If the rain cap is not installed, the warranty may be voided. Additionally, if the Cosmos is not installed in a landscape orientation, the warranty may be voided.

The Cosmos is **NOT** designed to be installed on moving vehicles such as cars or trucks. Installation on moving vehicles may void the warranty.

Please note that the Cosmos is weather-resistant but not fully waterproof and cannot be submerged in water.

As part of our unique Damage Free Delivery Guarantee, it is important that you inspect your product immediately upon delivery for any transportation damages. Examine the item for any visible damages and review the contents of the package within 24 hours of receipt. If you find any damages or if any parts are missing, please refer to the guidelines in the attached PDF. Report any issues by emailing [shipping@evervue.com](mailto:shipping@evervue.com) with your name, order number, and photographs of the damage.

**PARTS**

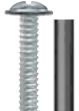

- A** Rain/Sun Cap

**B** Extra thin Bezel

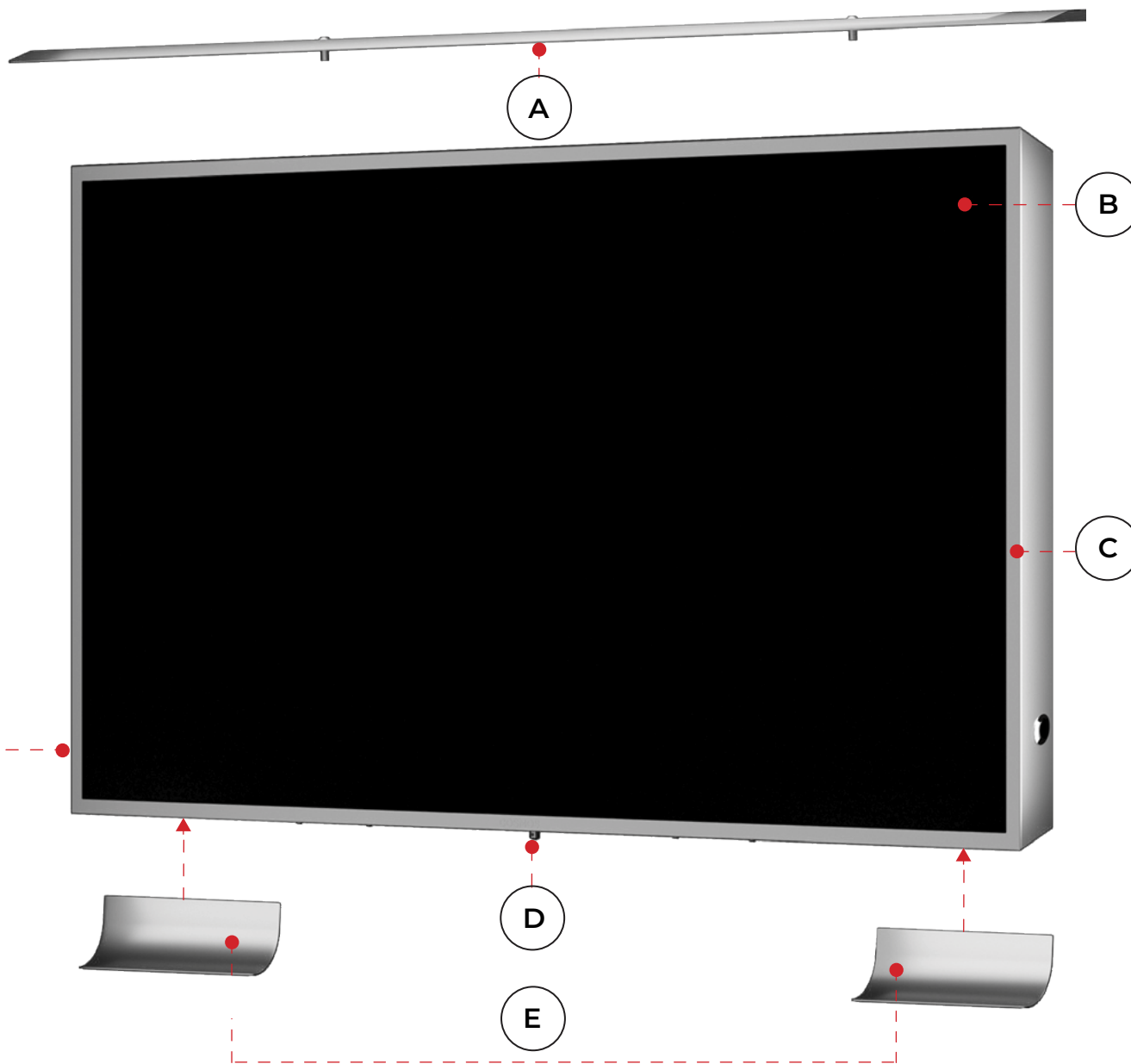
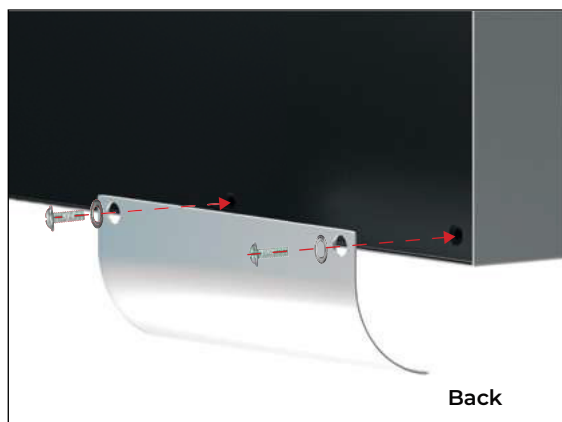
**C** Audio Streamers
- D** Heat Strengthened Anti Glare Glass

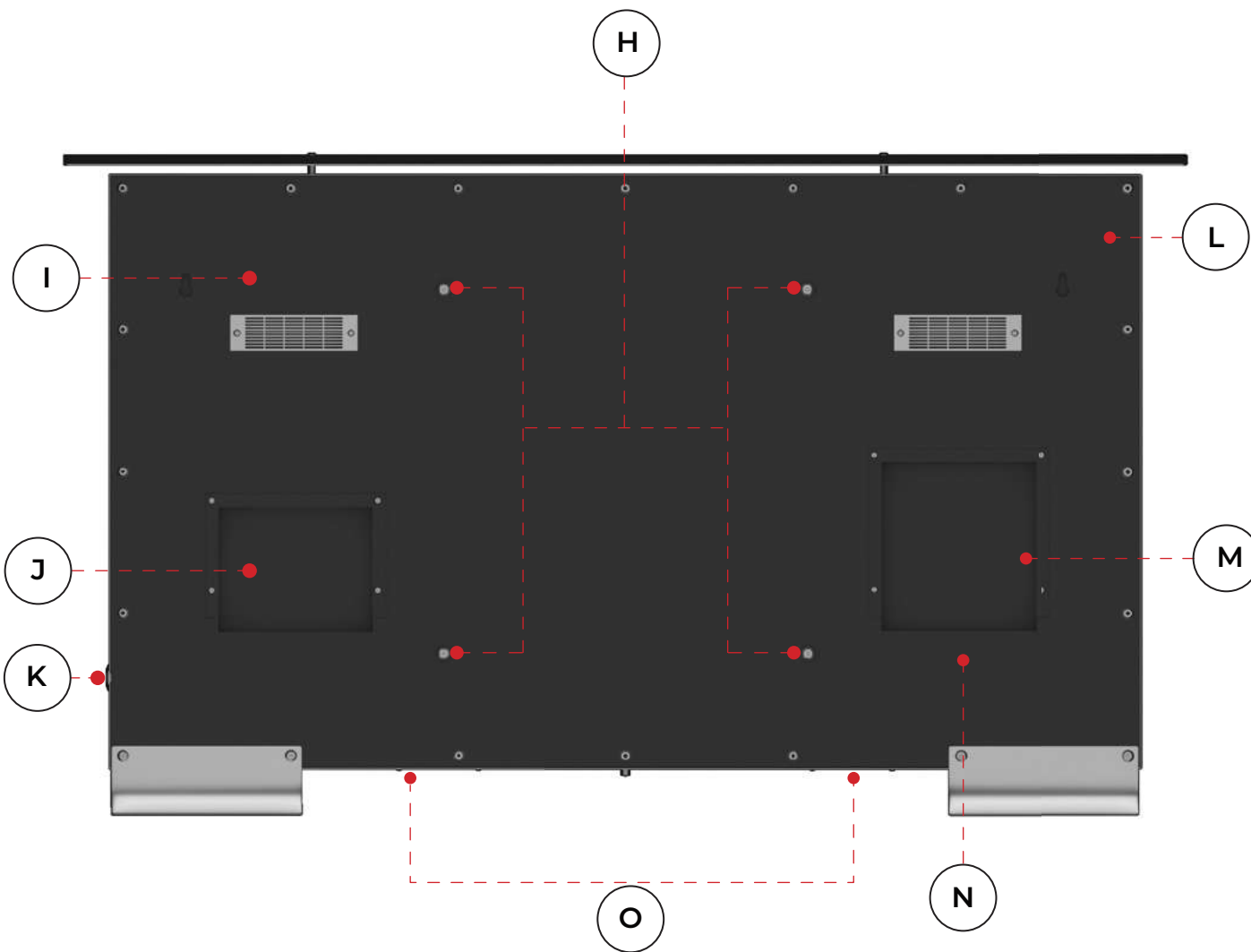
**E** Wide Angle Infrared Receiver

**NOTES**

- F**  Sun Cap Screws
- G**  Audio Streamer Screws

**CLOSE-UP**





**PARTS**

- H** VESA Compatible for Mounts/Brackets
- I** Warm Air Outlet for Cooling System
- J** Power, HDMI, USB, Audio Compartment
- K** Stainless Steel, Easy Access On/Off Button
- L** Direct Wall Mount Openings
- M** Set Top Box Compartment
- N** Kensington Lock Opening
- O** Cool Air Inlet



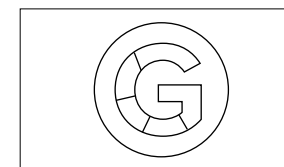
**BUTTONS**

- |          |                                      |          |                                       |
|----------|--------------------------------------|----------|---------------------------------------|
| <b>A</b> | Power IR Learning key                | <b>K</b> | Enter / Mouse Left                    |
| <b>B</b> | Mouse ON/OFF                         | <b>L</b> | Long press to turn ON/OFF the backlit |
| <b>C</b> | Backspace                            | <b>M</b> | Open Google Voice Assistant           |
| <b>D</b> | Navigation keys (Up/Down/Left/Right) | <b>N</b> | Volume up (+)                         |
| <b>E</b> | Home return / Mouse right            | <b>O</b> | Next                                  |
| <b>F</b> | Volume down (-)                      | <b>P</b> | Mic                                   |
| <b>G</b> | Play / Pause                         | <b>Q</b> | Full keyboard                         |
| <b>H</b> | Previous                             | <b>R</b> | Touch panel                           |
| <b>I</b> | Indicator                            | <b>S</b> | Charging Interface                    |
| <b>J</b> | Menu                                 | <b>T</b> | ON/OFF                                |

**HOW TO INSTALL THE GOOGLE ASSISTANT**



**1** Open the play store and search for Google.

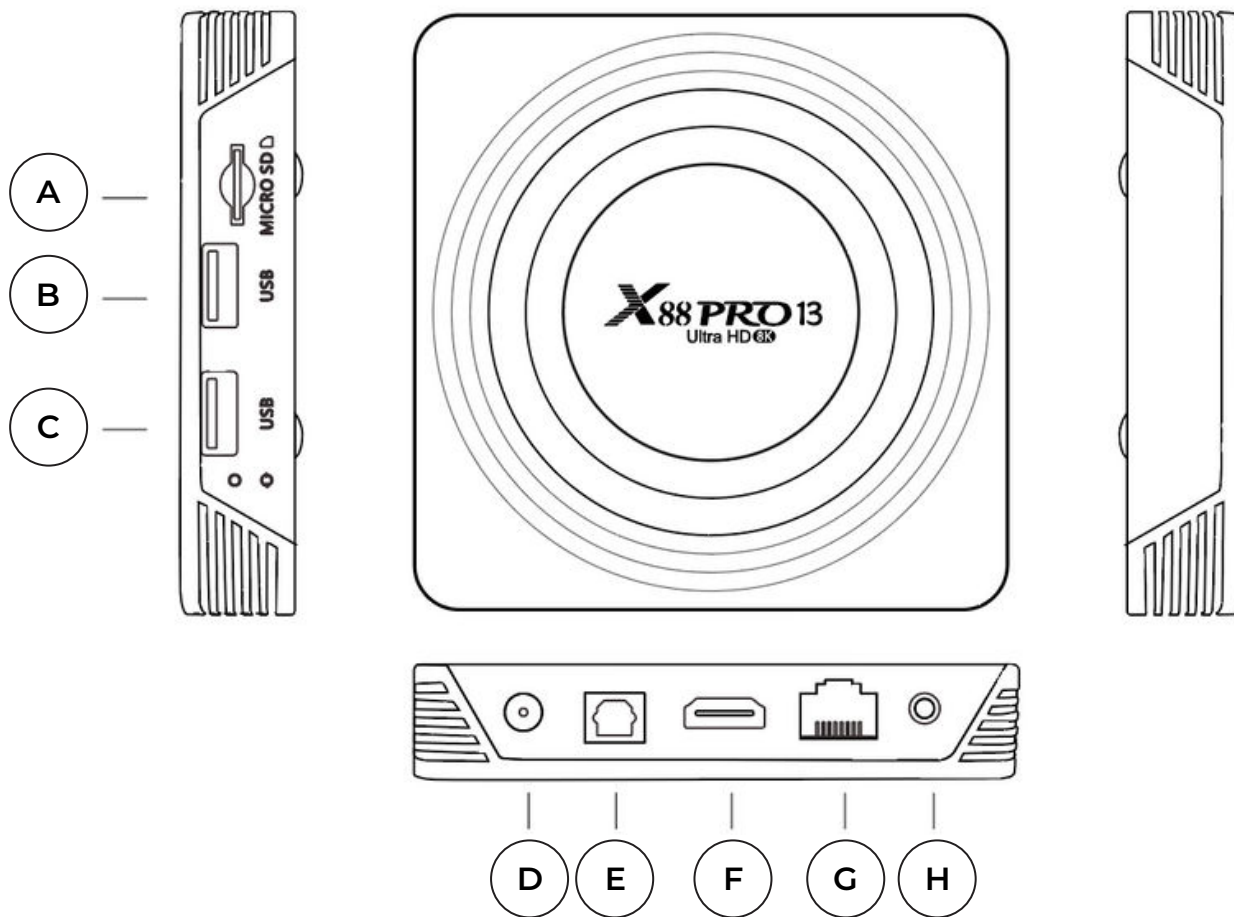


**2** Download Google. Then tap the icon on the home screen.



**3** Control the app with either your voice or the keyboard on the remote.

(Configuration depending on market)



**BUTTONS** \_\_\_\_\_

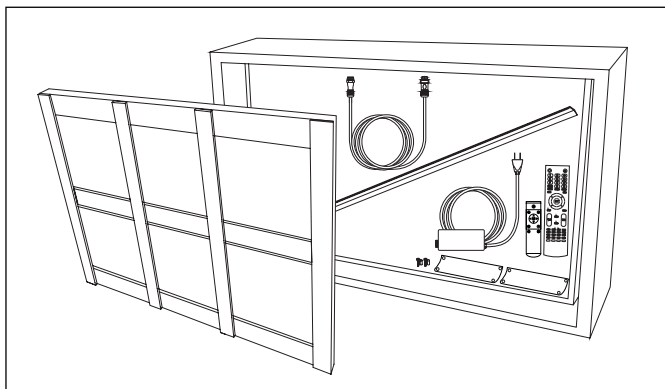
- A** Micro SD Card
- B** USB Port
- C** USB Port
- D** Power Port
- E** Audio Port
- F** HDMI Port
- G** Ethernet Cable
- H** AV



Insert 2 Triple A Batteries  
at the back of the remote.

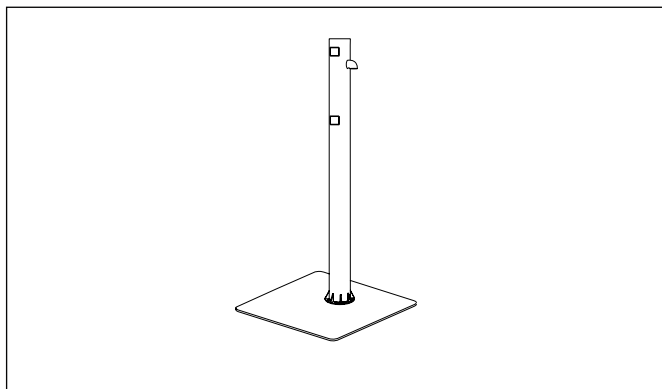
### WHAT CAN YOU DO WITH THIS REMOTE ?

- Change the brightness and color of the screen.
- Change the HDMI input
- Increase the audio volume of the T.V.
- several more advanced settings



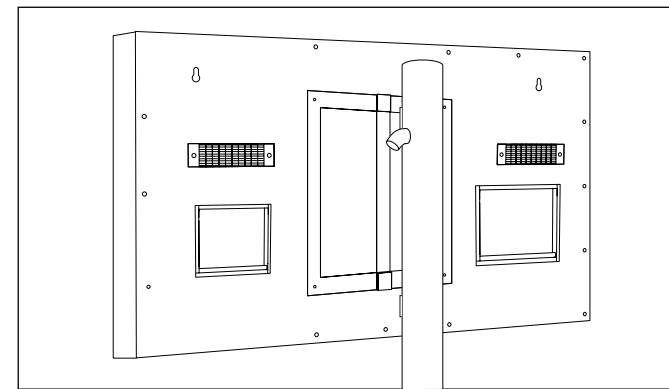
### 1 Check the Items After Receiving

Upon receiving your order open the crate and inspect the content. **Damages must be reported within 24 hours.**



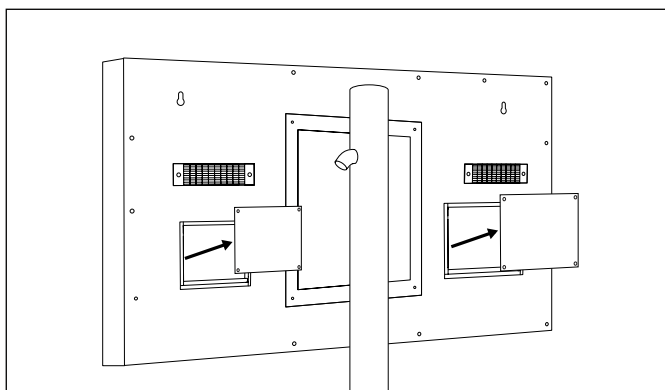
### 2 Set up your Mount

Before setting up your Cosmos Outdoor TV, set up your mount first. A separate manual is provided for each of our Cosmos Mounts.



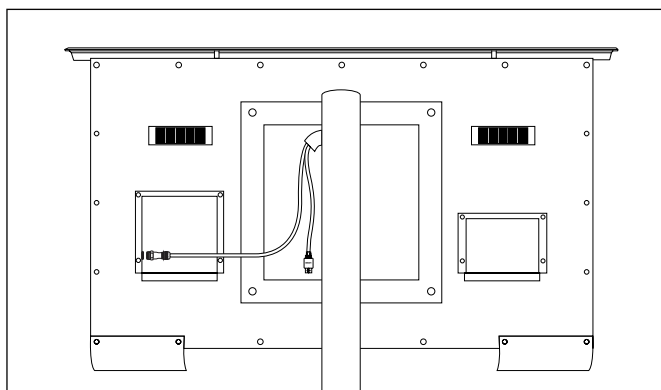
### 3 Attach the Cosmos

Attach the Cosmos Outdoor TV to your mount. Check the separate mount manual.



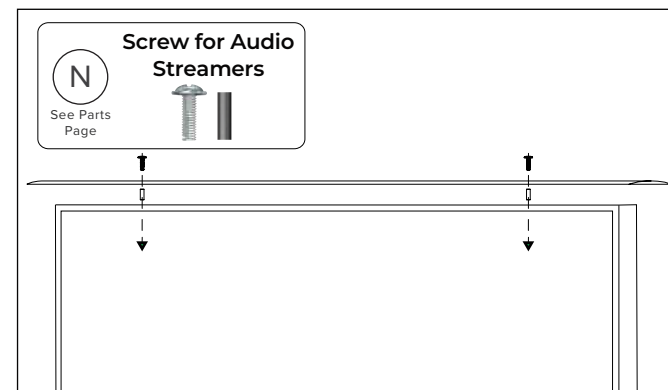
### 4 Remove the Compartment Covers

Use the allen key to remove the base protectors at the back of the Cosmos Outdoor TV.



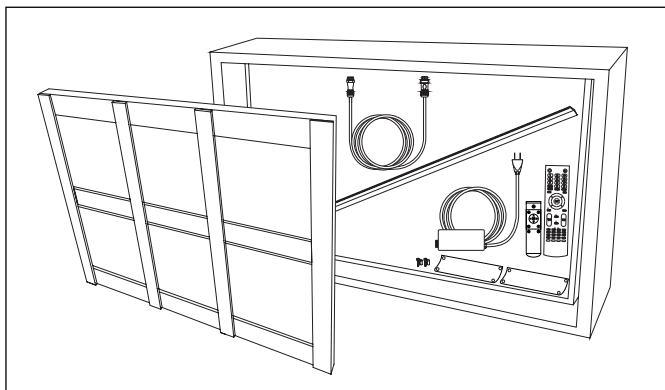
### 5 Plug the Cables

Plug the power cord to the power port located at the smaller compartment at the back of the Cosmos Outdoor TV.



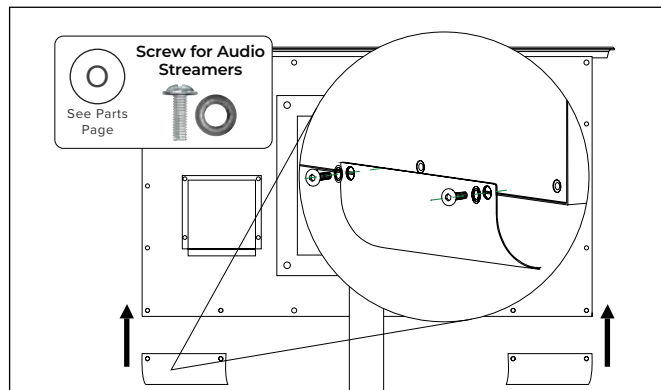
### 6 Install the Sun Cap

Take the sun cap and attach it on top of the Cosmos Outdoor TV using the allen key included in the package.



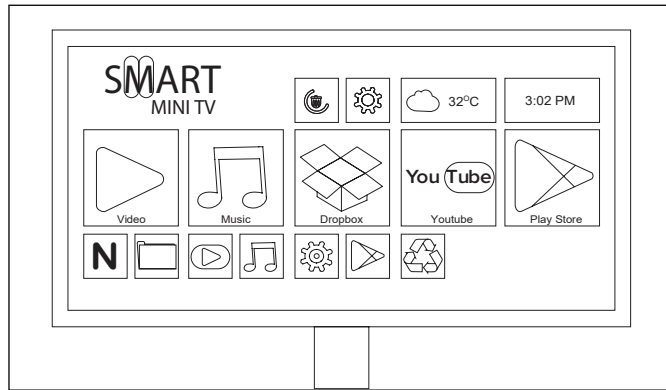
### 7 Install the Audio Streamers

Attach the Audio Streamers on both the bottom left and bottom right backside of the Cosmos Outdoor TV.



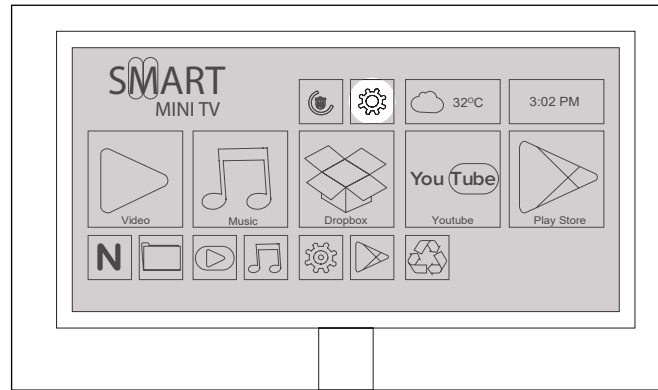
### 8 Finished

Done. Your Cosmos Outdoor TV is installed and ready for setup.



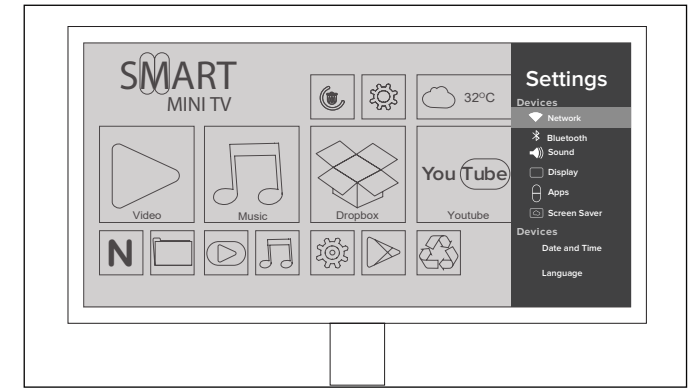
### 1 Turn on Cosmos

Either press the power button on the right side of the TV or on the remote to turn the Cosmos Outdoor TV on.



### 2 Connect to the internet

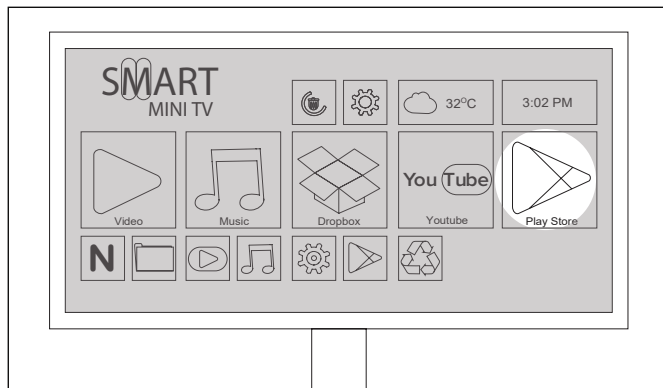
Go to "Settings" and choose "Network".



### 3 Connect to the internet

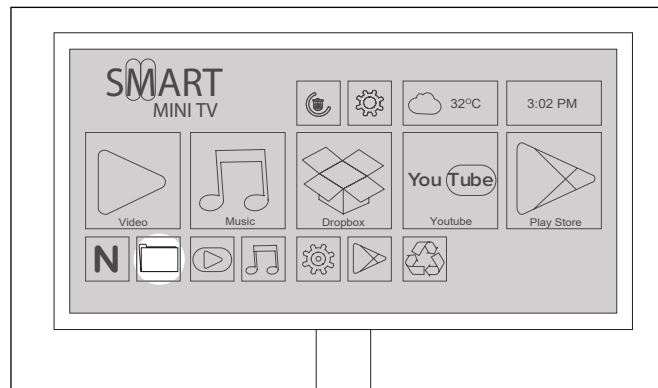
Find your Wi-Fi name on the list of networks that would pop up and enter your password.

## INSTALLING APPS



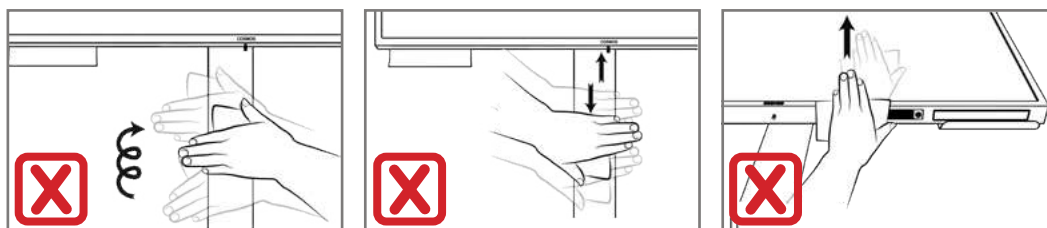
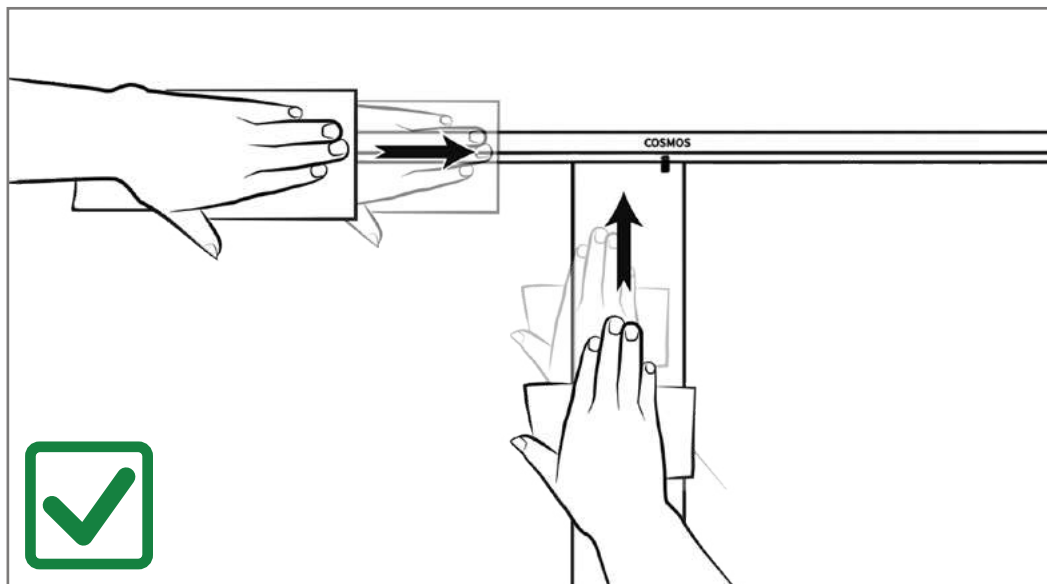
### Option 1 Google Play Store

Find the desired app on the Google Play Store. Download and install it on your device.



### Option 2 Install APK

Download your APK online. Find it on the "File Manager" and double click it to install.

**ONLY APPLICABLE FOR THE BRUSHED STAINLESS STEEL**

With this special buffer you make stainless steel look as new again in minutes.

**Important Notes:**

1. Please press firmly with buffer in one sweeping motion in the same direction as the structure and grain of the stainless steel.
2. DO NOT make circular movements.
3. DO NOT go against the grain and structure of the stainless steel.

Mit diesem speziellen Poliermittel lassen Sie Edelstahl in wenigen Minuten wieder wie neu aussehen.

**Wichtige Hinweise:**

1. Drücken Sie den Puffer fest in einer gleichmäßigen Bewegung in die gleiche Richtung wie die Struktur und Maserung des Edelstahls.
2. MACHEN SIE KEINE kreisförmigen Bewegungen.
3. GEHEN SIE NICHT gegen die Maserung und Struktur des Edelstahls.

Avec ce tampon spécial, vous pouvez redonner à l'acier inoxydable son aspect neuf en quelques minutes.

**Notes importantes :**

1. Appuyez fermement avec le tampon en un seul mouvement fluide dans la même direction que la structure et le grain de l'acier inoxydable.
2. NE FAITES PAS de mouvements circulaires.
3. NE PAS aller à l'encontre du grain et de la structure de l'acier inoxydable.

Met deze speciale buffer laat u roestvrij staal er binnen enkele minuten weer als nieuw uitzien.

**Belangrijke opmerkingen:**

1. Druk stevig met de buffer in één vloeiende beweging in dezelfde richting als de structuur en nerf van het roestvrij staal.
2. MAAK GEEN cirkelvormige bewegingen.
3. GA NIET tegen de nerf en structuur van het roestvrij staal in.

使用这种特殊的抛光垫，您可以让不锈钢在几分钟内恢复如新。

**重要提示：**

1. 请用抛光垫沿着不锈钢的纹理和结构方向，稳压并以单一的直线动作擦拭。
2. 请勿做圆形擦拭动作。
3. 请勿逆着不锈钢的纹理和结构方向擦拭。