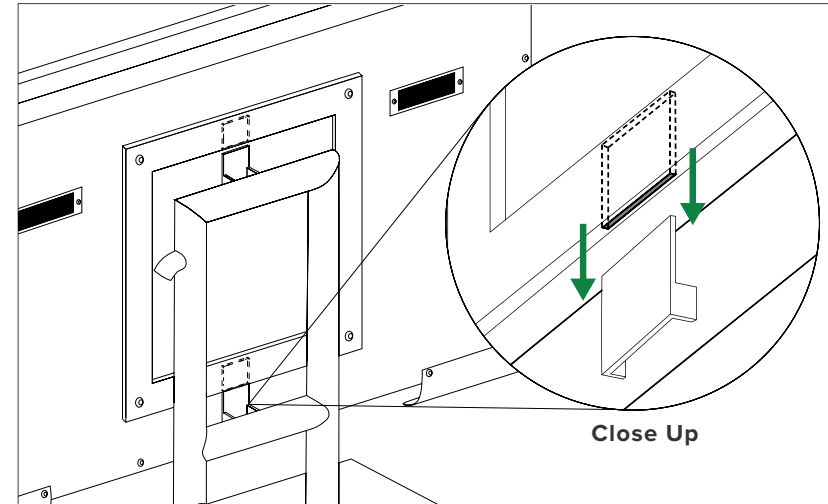


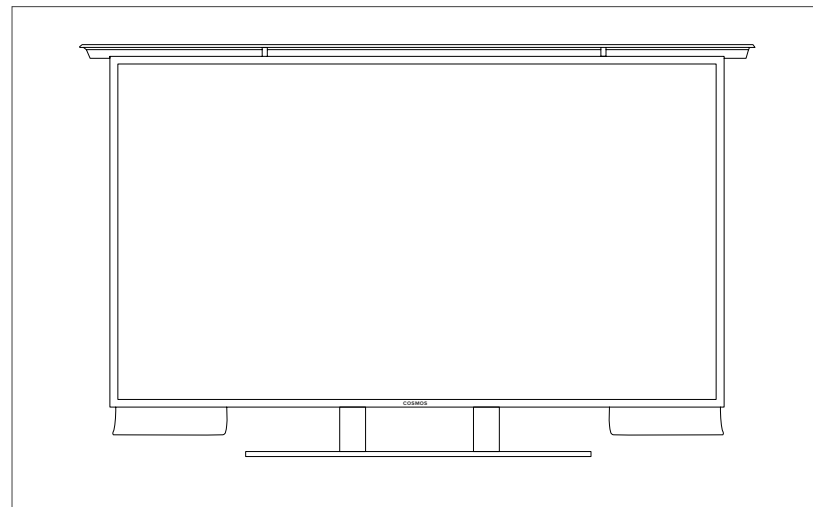
1 Check items

Upon receiving your order, open the crate and inspect the content. Damages must be reported within 24 hours.



2 Attach the TV to the mount

Lift the TV and attach the VESA bracket on the mount by lowering the two square holes on both the top and the bottom portion of the VESA to the hooks on the mount pole.



3 Finished

Done. Your TV is ready to use.