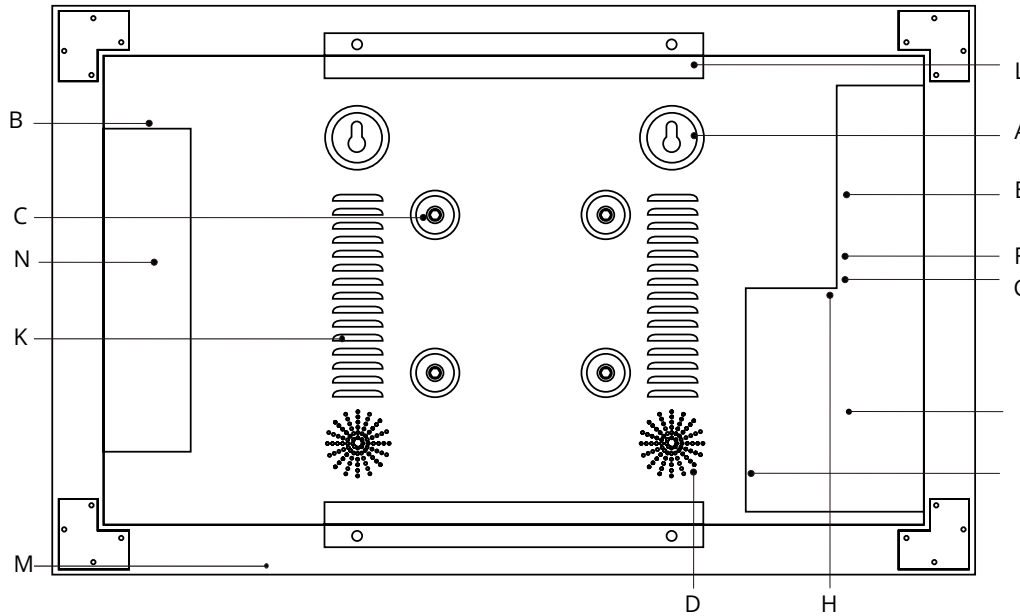


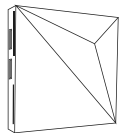
Parts

Back of DecoVue

- A - Flat to Wall Mount
- B - Power Input
- C - VESA Bracket
- D - Dual Audio Speakers
- E - Audio Out (3.5mm plug, non-amplified audio)
- F - HDMI Input 1
- G - USB input
- H - HDMI Input 2
- I - 12 Volt Power Output (for set top box)
- J - Location for set top box (compartment)
- K - Ventilation Openings
- L - Brackets for TV on Frame
- M - Infrared receiver for remote control
- N - Power Supply compartment



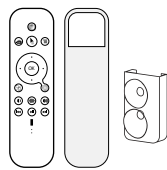
Accessories



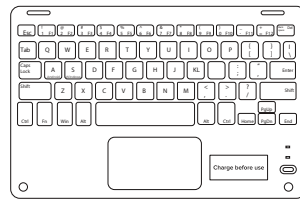
Android Box



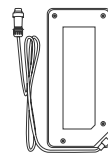
Evervue Remote



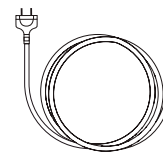
Zepp Remote Pro & Holder



Logitech K400



24V DC Power Supply included



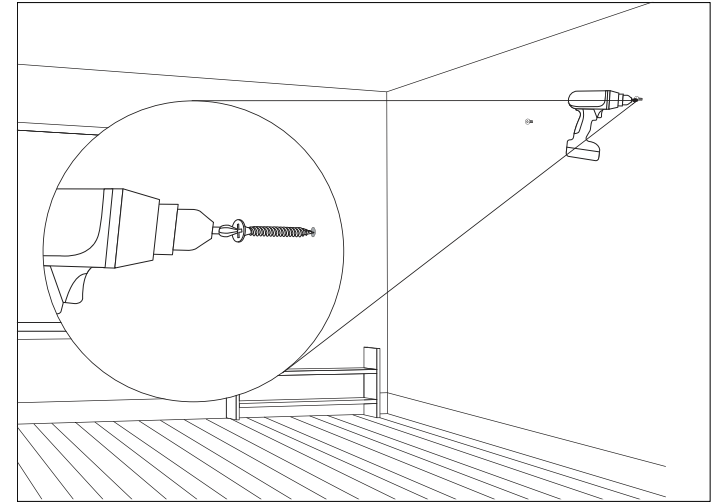
Power Plug

1 Unboxing

Upon receiving your order, open the crate and inspect the contents. Damages must be reported within 24 hours.

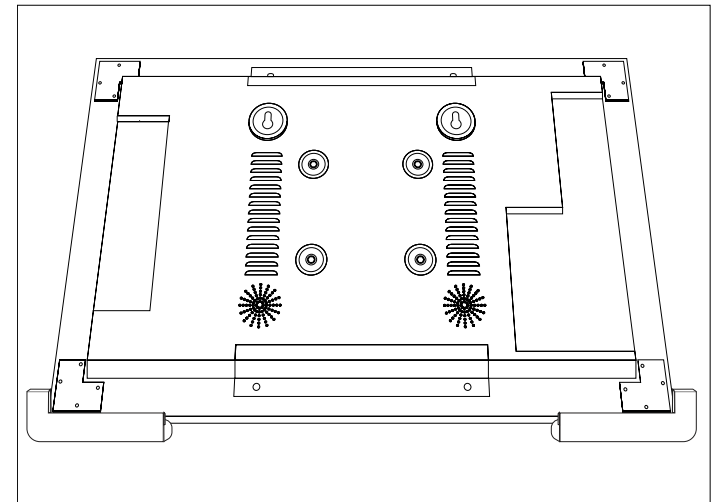
3 Lay the TV on Flat Padded Surface

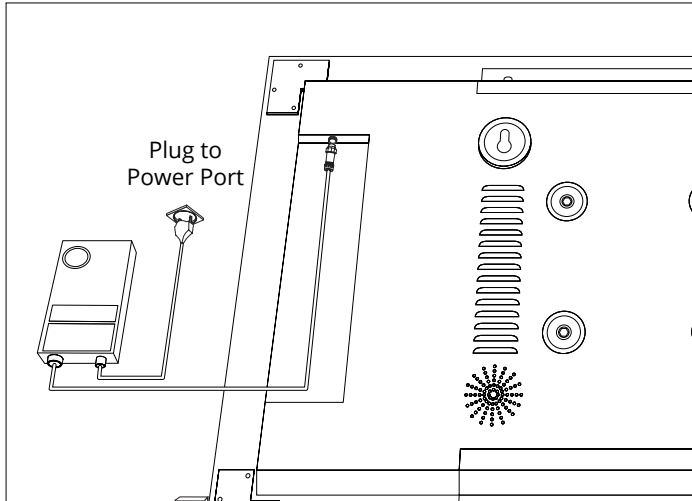
lay the TV down on a flat, soft surface to avoid damages or scratches.



2 Install screws on the Wall

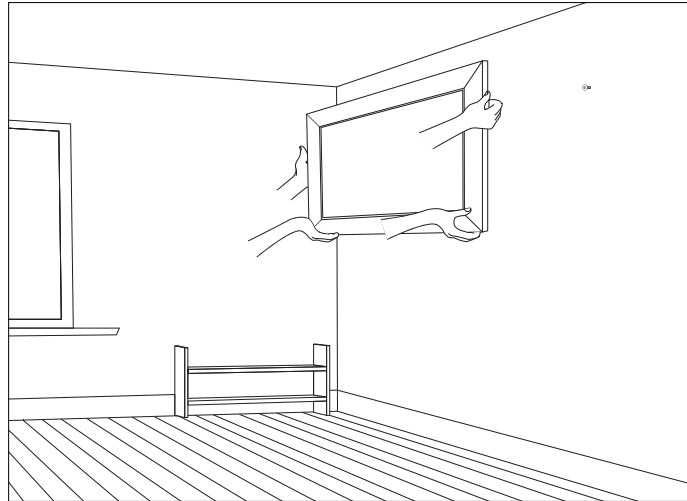
Plan where you're going to install your TV. Drill screws into the areas where your mounting holes would be.





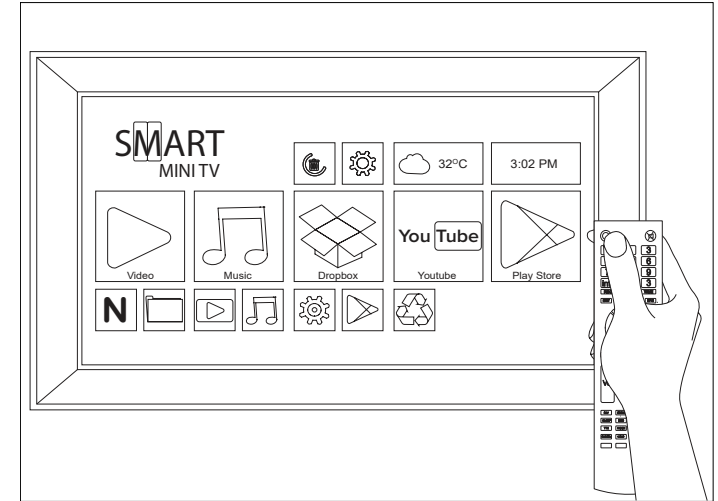
4 Plug Power Cord

Connect the power supply to the power input port located at the back of the TV and plug the other end to your power source.



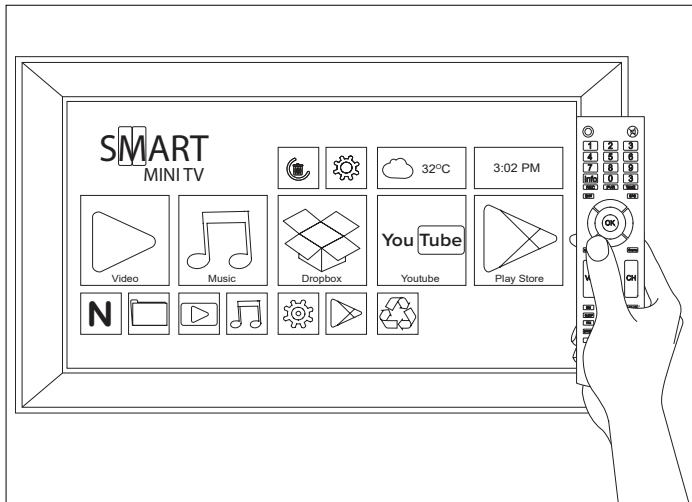
5 Hang TV on the Wall

Carefully lift the TV and hang it on the two screws you installed on the wall.



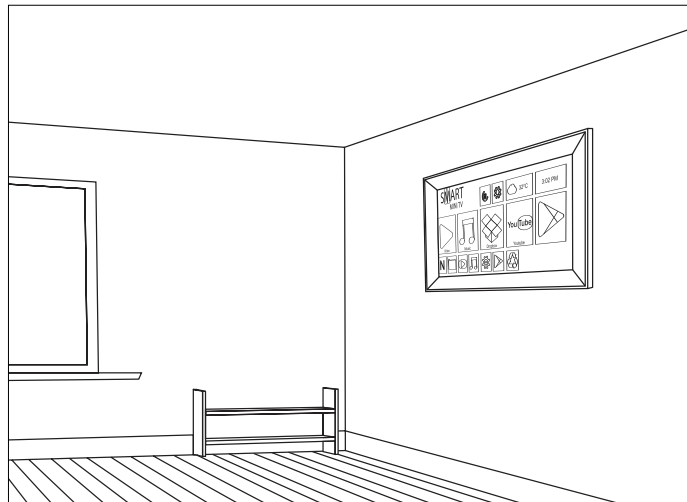
6 Turn the TV on

Press the power button on the upper left side of the Evervue remote control.



7 Select Source

Press the "Source" button on the Evervue Remote. On the menu that would pop up on the upper right side of the screen, highlight "HDMI 1." Then press "Enter."



8 Done

Your DecoVue TV is ready to use.