

Evervue LED Backlight

Add a visual impact to your Evervue TV with our LED Backlight.



Using the remote control, you can adjust the LED Light of your mirror to any color and brightness. Set it to any color you like or let it change colors continuously.

Additionally, download Evervue's exclusive mobile application and conveniently control the LED Backlight using your smartphone or tablet. You can now control your LED Backlight from across the room with your smart device without anyone knowing.




For ideal installation, your mirror should be positioned 1-2inches (25mm-50mm) from the wall to require the best lighting effect. We offer optional wall mounting to hang the mirror against the wall with our recommended distance.

TC450 Remote Control

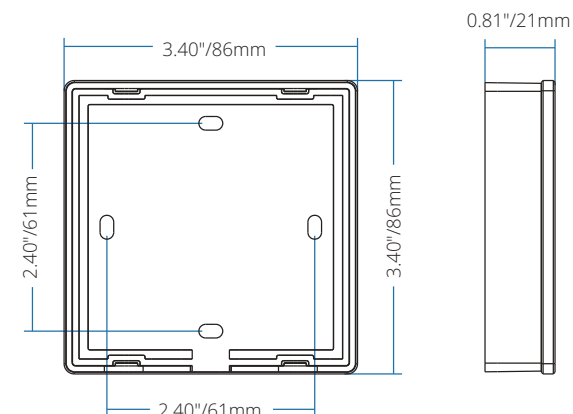


Compatible with:



-  — Turn on/off all zone light.
-  — Color slide.
- M** Mode — Short press play 10 built-in mode, long press run mode-cycle.
-  — Adjust dynamic mode speed or static color brightness, 10 levels.
- W** White — Short press turn on/off W channel, long press adjust W channel brightness.
- 1 2 3 4** Zone Zone Zone Zone

Short press turn on zone light and select zone simultaneously, long press 2s turn off zone light. 4 zone control separately or synchronously, each zone could control multiple receivers.



Due to different local taxes, import duties, transportation and payment methods, warranty regulations by laws, and installed components, the price of our products may vary per country. Prices shown are based on orders placed in the USA.

*Information is subject to change without prior notification.