

**Phase cut /Triac dimmable driver-PWM output KVF-TDW series 120W**

Whole Family  
 KVF-XXXXX-TDW 12V 24VDC  
 30W 60W 80W 96W 100W  
 120W 150W 200W 300W



**■Features**

- Output constant voltage
- UL, cUL listed, Class P, Type HL
- Universal AC input: 100-277VAC
- Power Factor: up to 0.99
- High efficiency : up to 82%
- Dimming range: 0-100%
- Load: 10-100%
- Protection:short circuit/over loading/ Over temperature
- PWM output, does not change the color index
- Full protection aluminum housing, for dry, damp, wet location
- Flicker-free
- Compatible with Forward phase, Reverse phase, Triac, MLV, ELV Dimmers
- Cooling by free air convection
- Suitable for LED lighting and moving sign applications



**FCC Class 2 Class P**

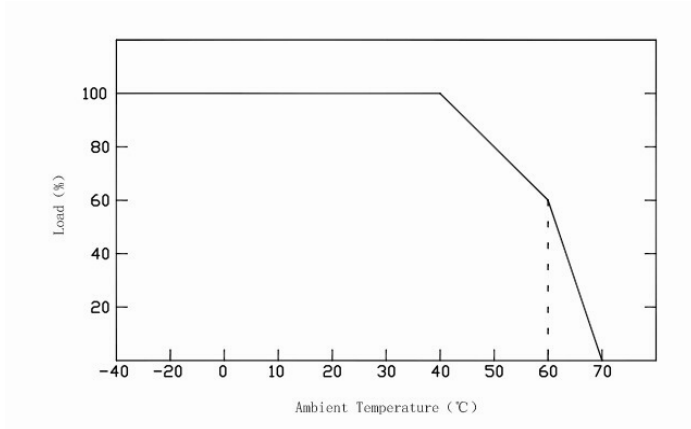
**■Specification**

Model	KVF-12120-TDW	KVF-24120-TDW	
<b>Certificates</b>	FCC UL cUL	FCC UL cUL	
<b>Output</b>	DC Voltage	12V	24V
	Rated Current	10A	5A
	Rated Power	120W	
	Voltage Tolerance	±0.5V	
	Voltage Regulation	±0.5%	
	Load Regulation	±2%	±1%
<b>Input</b>	Voltage Range	100-277VAC	
	Frequency Range	47-63Hz	
	Power Factor (Typ.) @ full load	0.99@120VAC 0.96@277VAC	0.98@120VAC 0.96@277VAC
	THD (Typ.) @ full load	<20%	
	Efficiency (Typ.) @ full load	82%	82%
	AC Current (Max.)	1.7A@100VAC	
	Inrush Current (Typ.)	20A, 50%, 1.6ms	
	Leakage current	<0.50mA	
<b>Protection</b>	Short Circuit	shut down o/p voltage, re-power on to recover after fault condition is removed	
	Over Loading	≤120% constant current limiting, auto-recovery	
	Over temperature	100°C±10°C shut down o/p voltage, automatically recover after cooling.	
<b>Environment</b>	Working TEMP.	-40~+60°C (see below derating curve)	
	Working Humidity	20~90% RH, non-condensing	
	Storage TEMP. Humidity	-40~+80°C, 10~95%RH	
	TEMP .coefficient	±0.03%/°C (0~50°C)	
	Vibration	10~500Hz, 5G 10min./1 cycle,period for 60min. each along X,Y,Z axes	
<b>Safety&amp; EMC</b>	Safety standards	UL8750	
	Withstand voltage	I/P-O/P:1.88KVac	
	Isolation resistance	I/P-O/P:100MΩ/500VDC/25°C/70%RH	
	EMC EMISSION	FCC Part 15 B	
<b>others</b>	Net. Weight	1.05Kg	
	Size	230*70*43mm (L*W*H)	
	packing	10PCS/CTN	

**Phase cut /Triac dimmable driver-PWM output KVF-TDW series 120W**

<b>Notes</b>	<p>1. All parameters if NOT specially mentioned are measured at 120VAC input , rated load and 25°C of ambient temperature.</p> <p>2. To extend the driver's using life ,please reduce the loading at lower input voltage.</p>
--------------	---

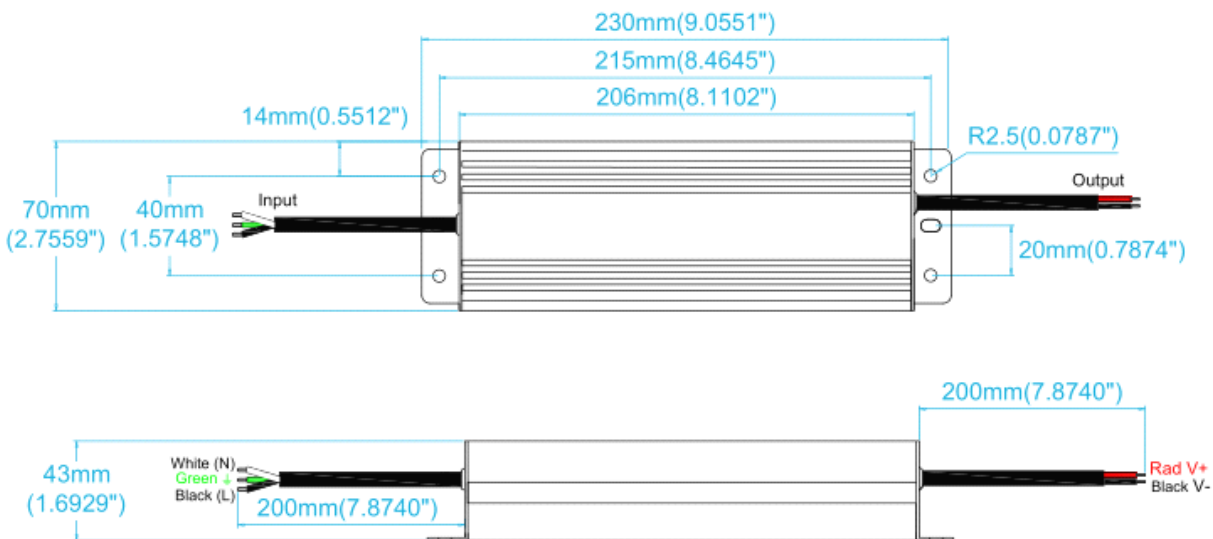
**Derating Curve**



※To extend their life, please refer to the Derating Curve and derate according to the temperature.

**Mechanical Specification**

Unite: mm  
Tolerance:P 0.5-2mm



※ Input Rubber wire 3\*18AWG Black and White to be connected to AC L and N ,Green wire go ground,  
 ※Output Rubber wire, 2\*16AWG Red to LED Positive side (+) , Black to LED Negative side (-).

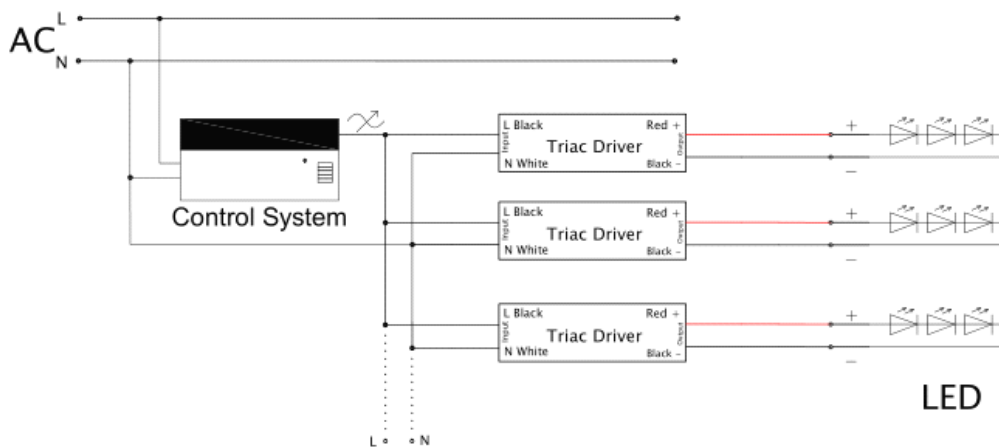
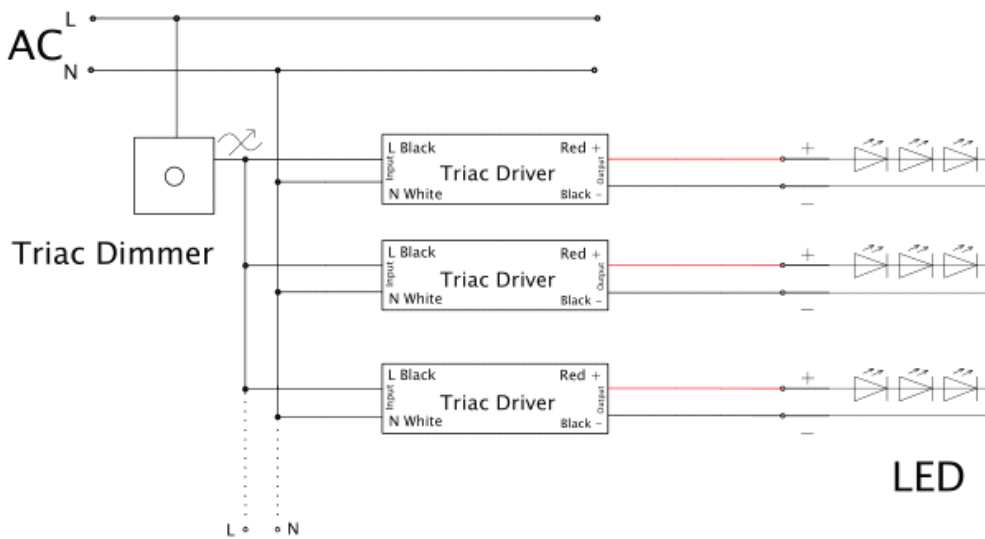
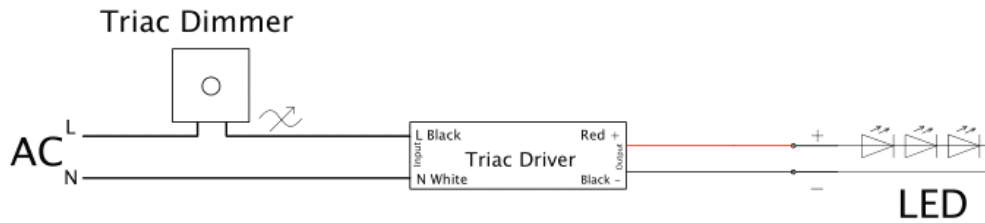
**Dimming Operation**

※The Pulse-Width Modulation (PWM) of output voltage can be adjusted through input terminal of the AC phase line(L) by connection a phase/triac dimmer.

※Usually matching with Forward phase , leading edge , Magnetic low voltage, triac dimmers, or Reverse phase, trailing edge ,Electric low voltage Dimmers.

※Please try to use dimmers with power at least 1.5 times as the output power of the driver.

■ Connecting Diagram



■ Instruction:

- 1) This driver should be installed by qualified and professional person;
- 2) Please make sure the driver is installed with adequate ventilation around it to allow for heat dissipation.
- 3) Ensure that wiring is correct before test in order to avoid light and power supply damage;
- 4) If driver Cannot work normally, don't maintain privately; Have any question, please contact Zhuhai Shengchang.

Please visit our website or contact us for more information! [www.scpower.net.cn](http://www.scpower.net.cn)