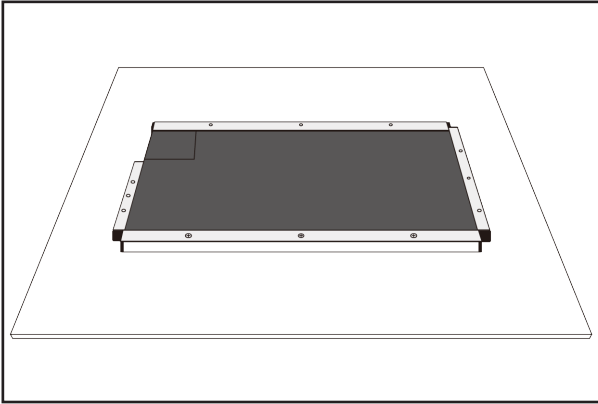
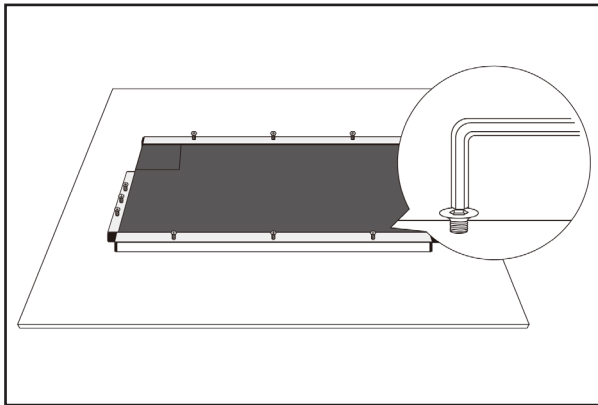


Step 1 Place the MirrorVue gently on a flat surface.



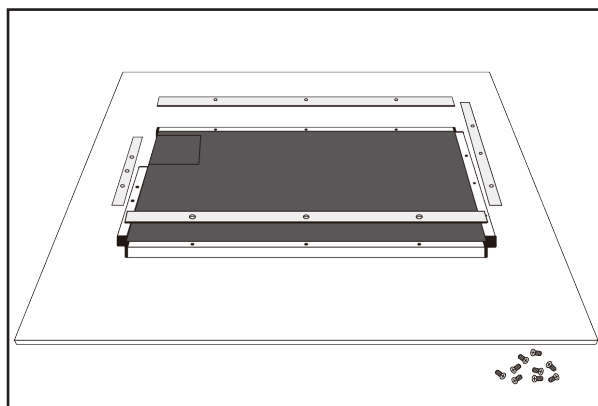
⚠ HAZARDOUS VOLTAGE. Contact will cause electric shock or burn.
Turn off and lock out system power before servicing.

Step 2 Remove the screws from the bars on the back of the MirrorVue using the Hex Key (Allen Key) included with the purchase.

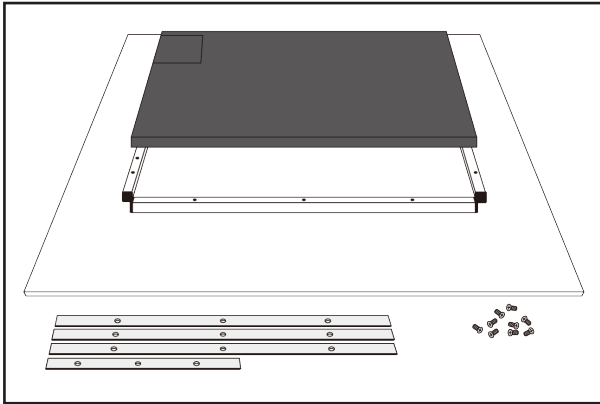


⚠ Store screws properly after removal to prevent misplacement. Misplacing the screws may cause difficulty in reassembling the TV.

Step 3 Remove the four (4) bars.



Step 4 Replace the current TV with the new one.



Step 5 Once the new TV is in place, reattach the bars and securely tighten the screws to complete the process.

