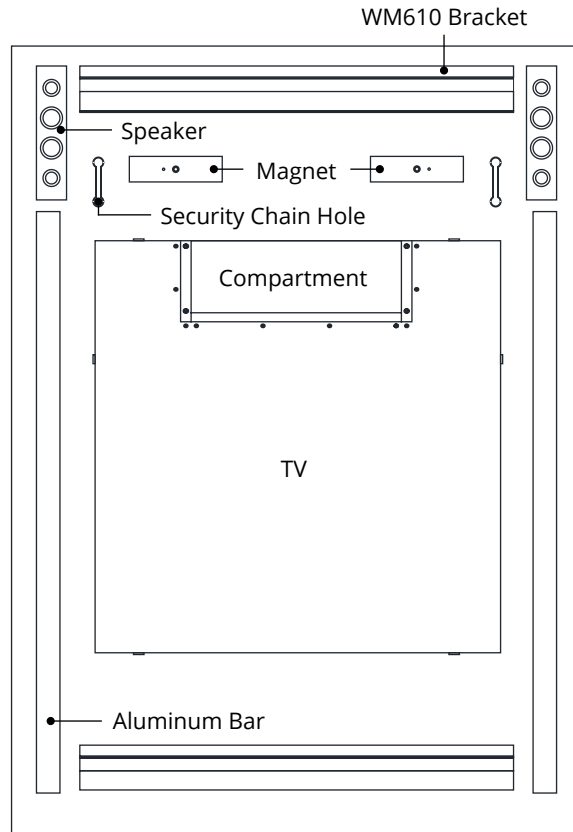
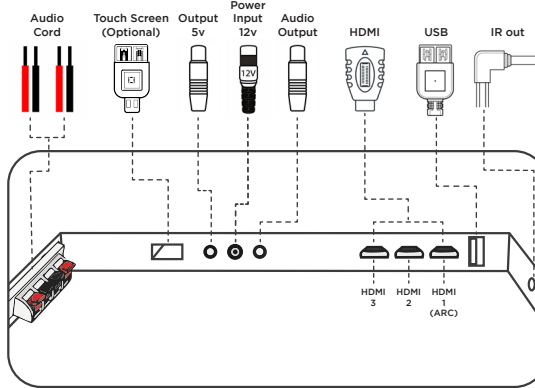


Parts

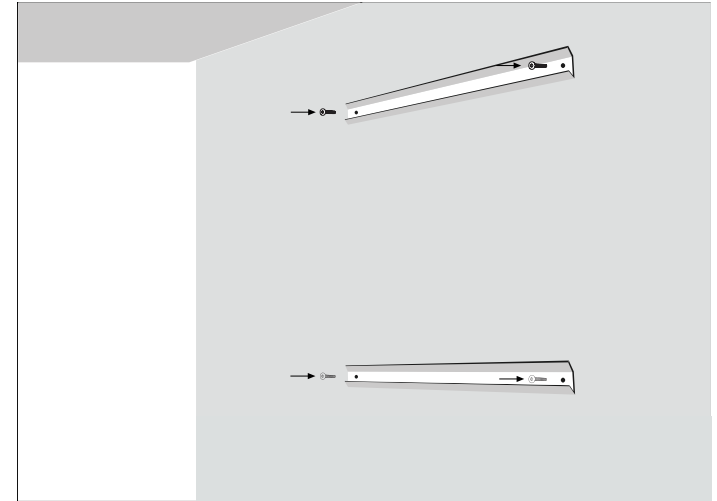
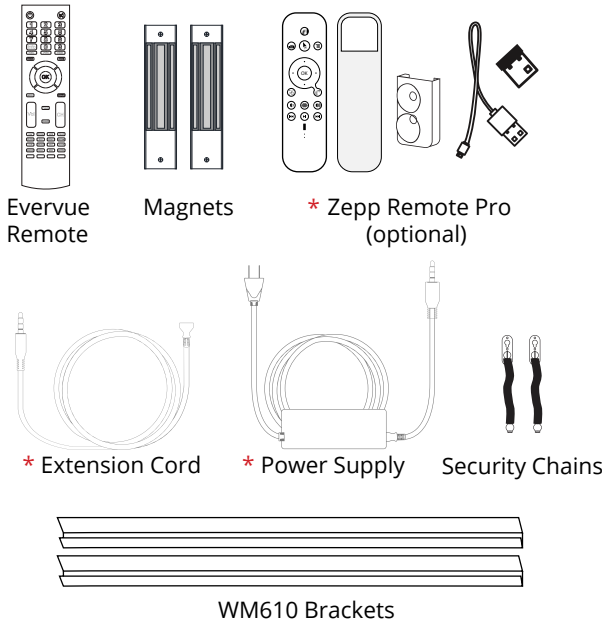
Back of MirrorVue



Ports

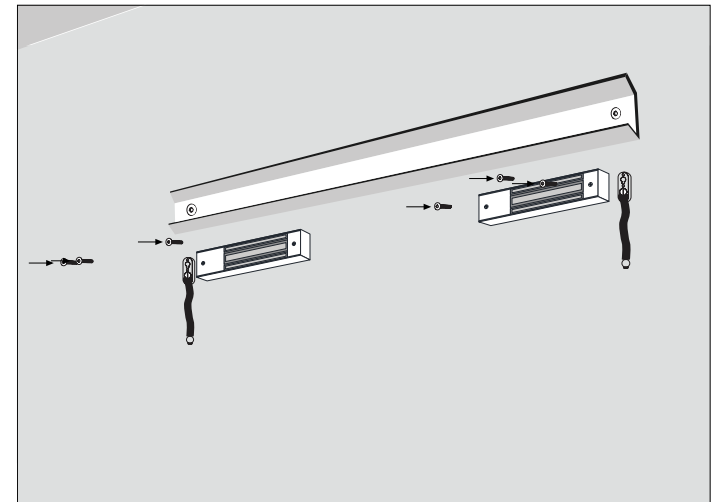


Accessories



2 Install the Mounts on the Wall

Plan where you're going to install your TV. Mark the wall where your brackets would be mounted, then drill holes into it. Screw the two mounts onto the wall.



3 Install the Magnet and Security Chain

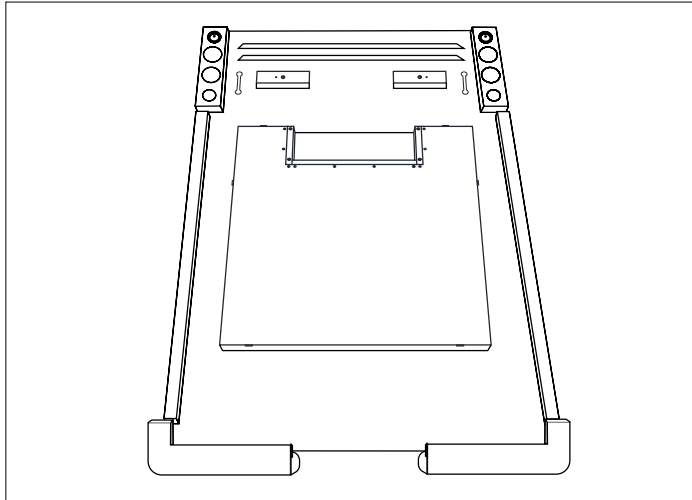
Using a screwdriver, attach the magnets and the security chains to the wall.

1 Unboxing

Upon receiving your order, open the crate and inspect the contents. **Damages must be reported within 24 hours.**

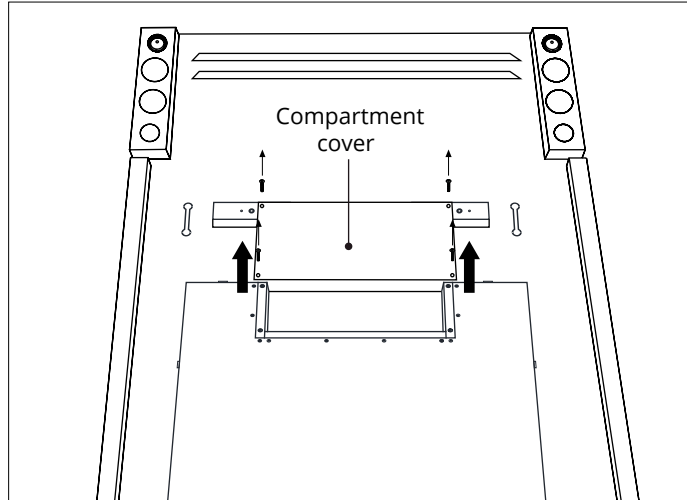
* Note: If the mirror is touchscreen, a Zepp remote Pro will be included.

If lights are integrated into the mirror, a separate power supply and extension cord will be provided for it.



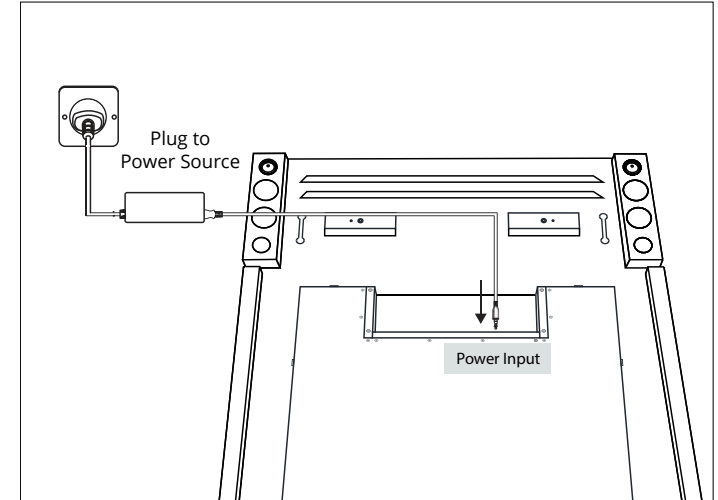
4 Lay the Mirror on Flat Padded Surface

Lay the mirror down on a flat, soft surface to avoid damages or scratches.



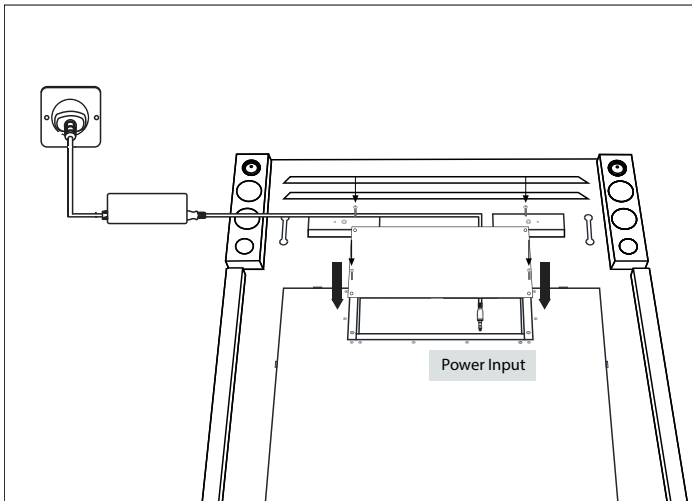
5 Remove the Compartment Cover

Remove the protective cover from the compartment.



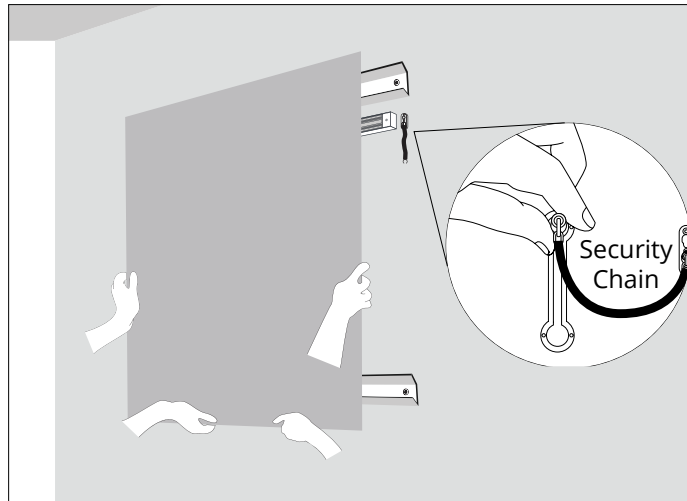
6 Plug the Power Cord

Connect the power supply to the power input port located at the back of the TV and plug the other end to your power source.



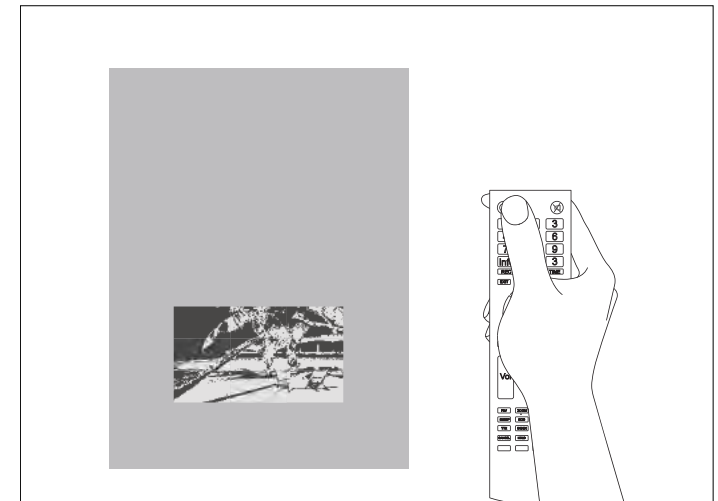
7 Re-attach the Compartment Cover

Remove the protective cover from the compartment.



8 Hang Mirror on the Wall

Carefully lift the mirror and securely engage the mounting brackets on the back of the mirror to the brackets installed on the wall. Then insert the dangling end of the security chain to the security chain hole at the back of the mirror. The magnets would connect to each other automatically.



9 Personalize your MirrorVue

Turn the MirrorVue on using the Evervue remote and personalize your mirror.