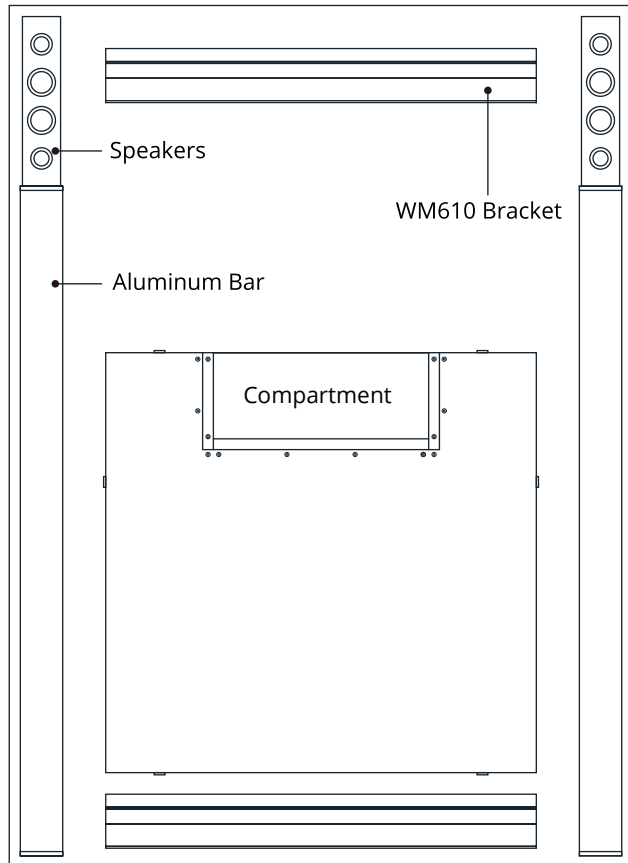
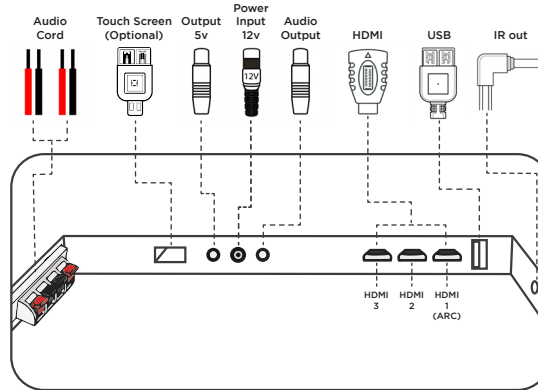


## Parts

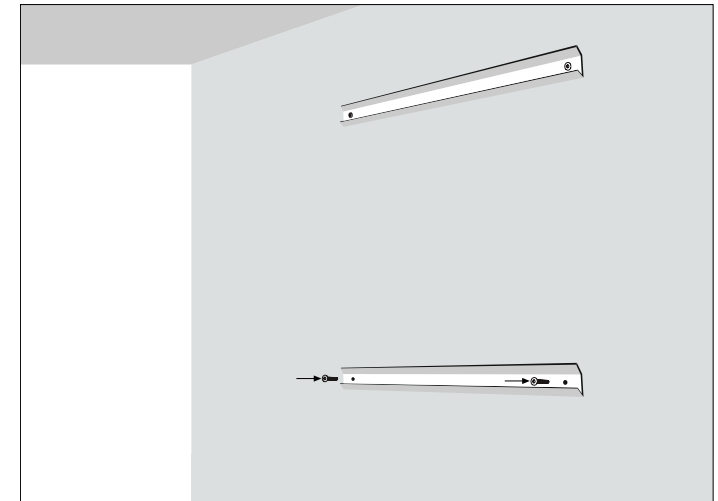
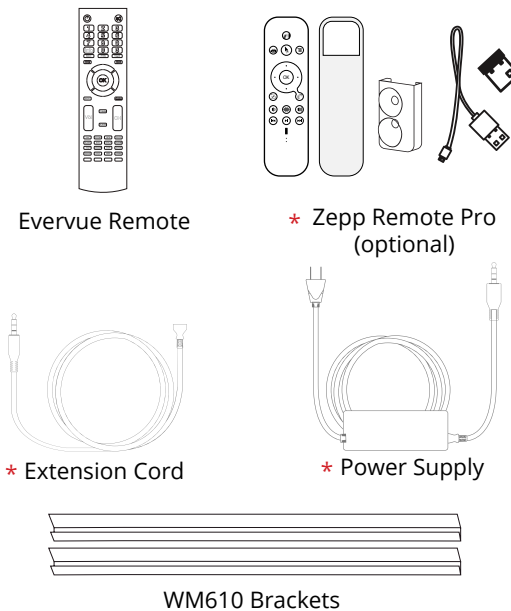
Back of MirrorVue



## Ports

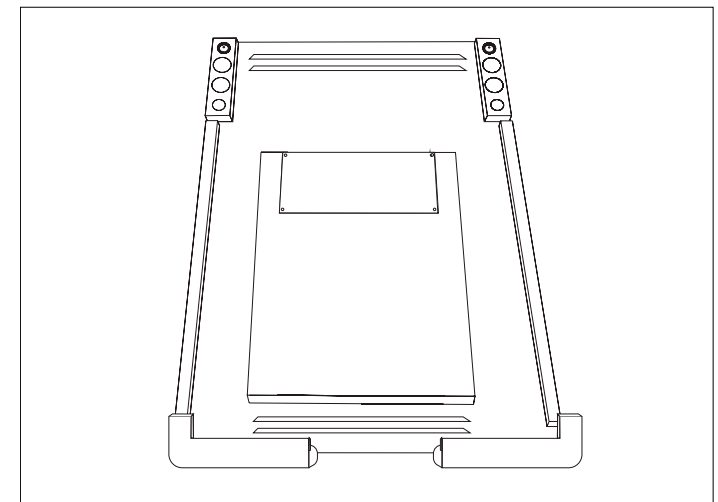


## Accessories



## 2 Install the Mounts on the Wall

Plan where you're going to install your TV. Mark the wall where your brackets would be mounted, then drill holes into it. Screw the two mounts onto the wall.



## 3 Lay Mirror on Flat Padded Surface

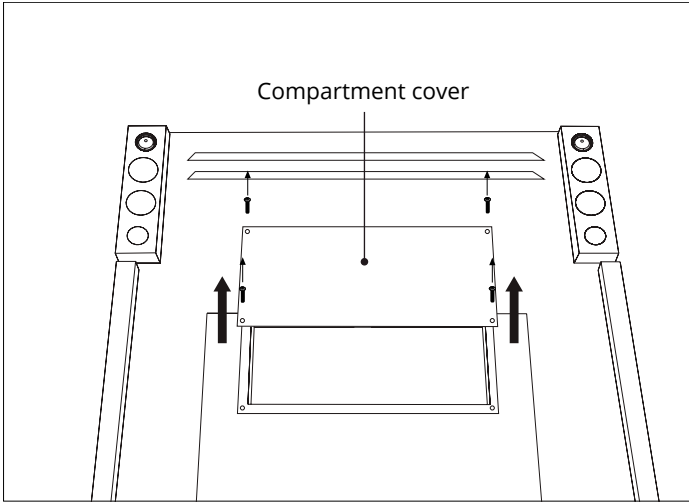
Lay the mirror down on a flat, soft surface to avoid damages or scratches.

## 1 Unboxing

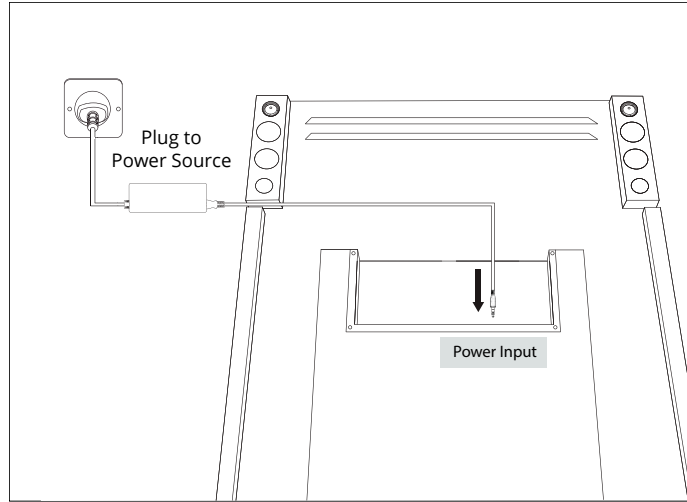
Upon receiving your order, open the crate and inspect the contents. **Damages must be reported within 24 hours.**

\* Note: If the mirror is touchscreen, a Zepp Remote Pro will be included.

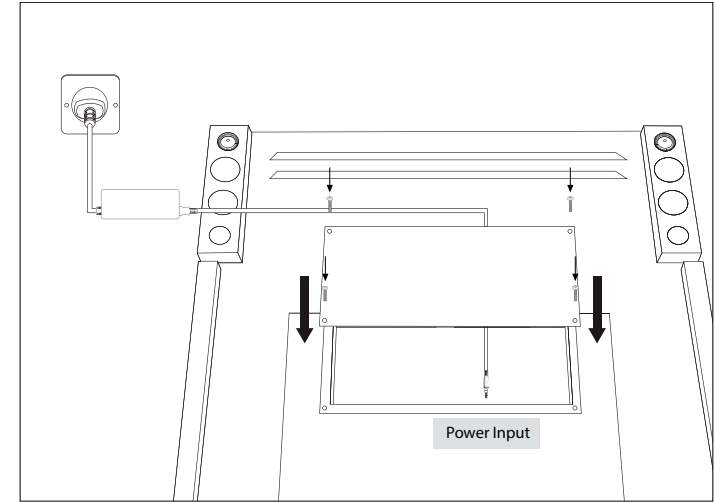
If lights are integrated into the mirror, a separate power supply and extension cord will be provided for it.



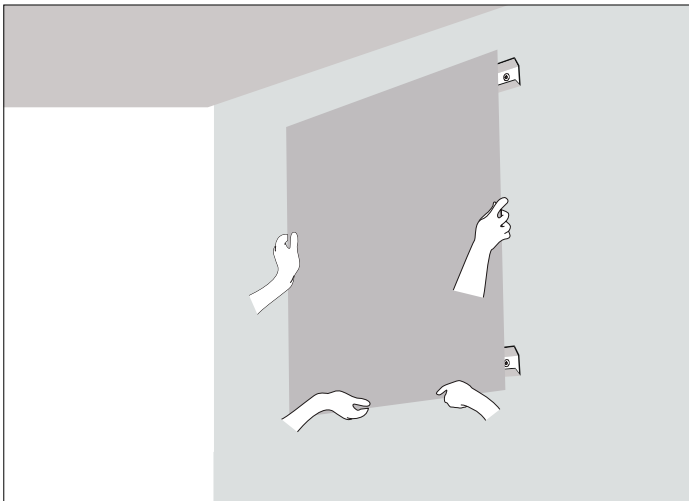
**4 Remove the Compartment Cover**  
Remove the protective cover from the compartment.



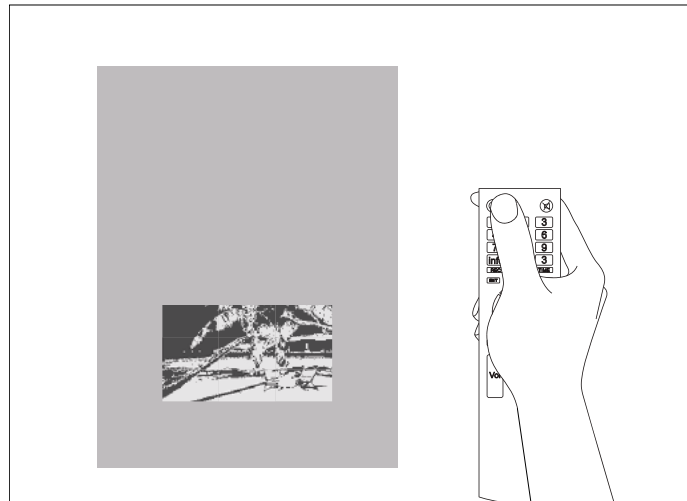
**5 Plug Power Cord**  
Connect the power supply to the power input port located at the back of the TV and plug the other end to your power source.



**6 Re-attach the Compartment Cover**  
Re-attach the protective cover to compartment.



**7 Hang Mirror on the Wall**  
Carefully lift the mirror and securely engage the mounting brackets on the back of the mirror to the brackets installed on the wall.



**8 Personalize your MirrorVue**  
Turn the MirrorVue on using the Evervue remote and personalize your mirror.