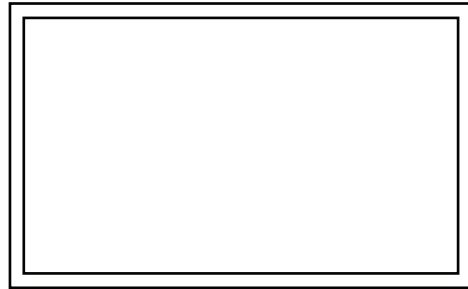
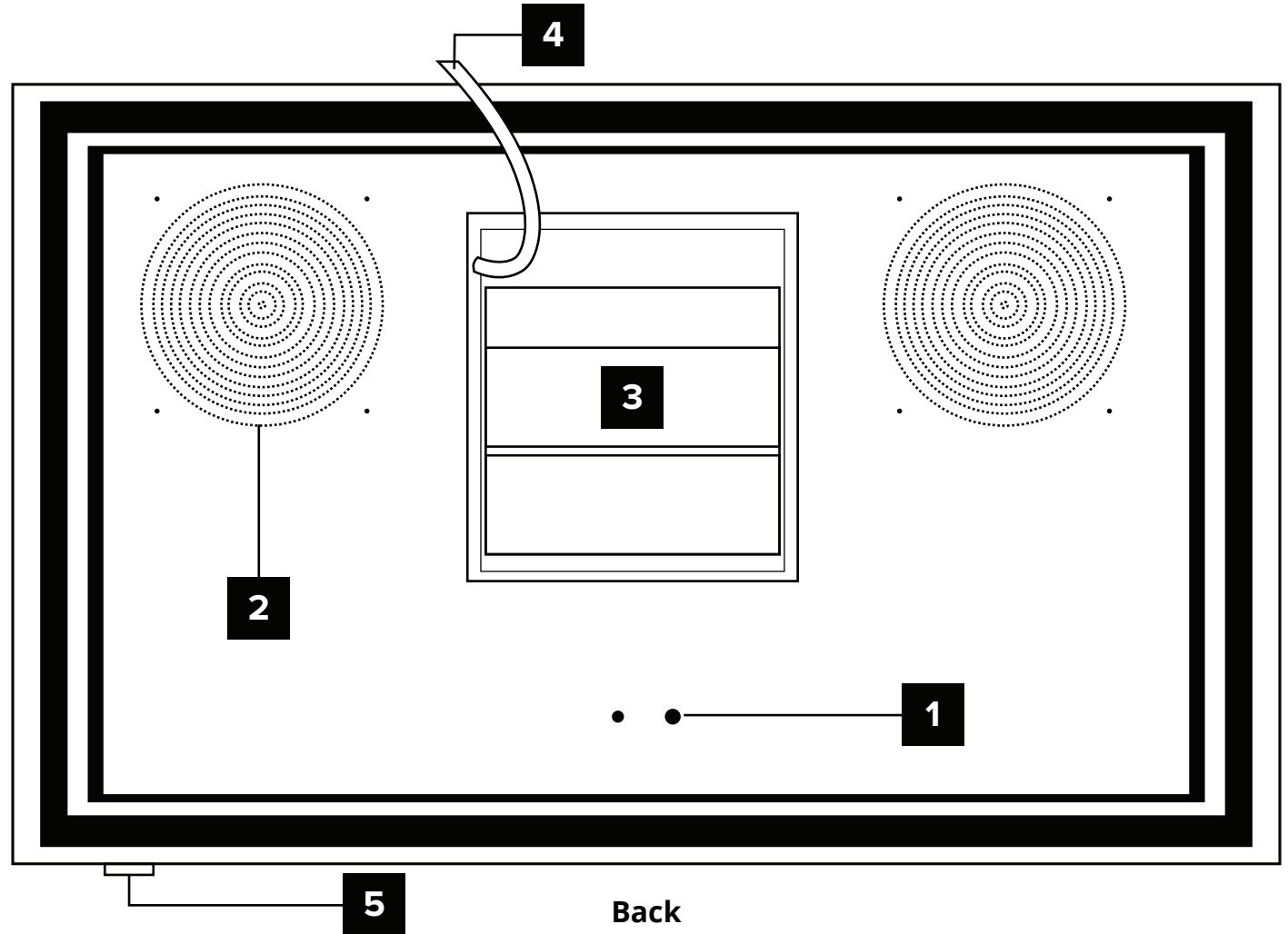


Components



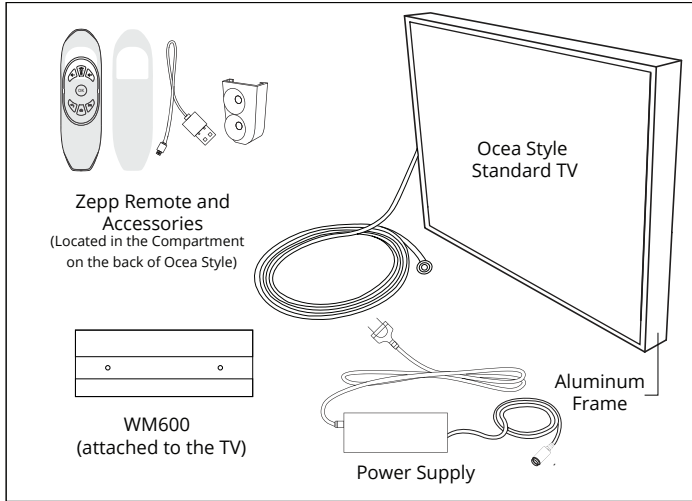
Front

- 1** IR
- 2** Speakers
- 3** Aluminum Wall Mount
- 4** 4m Power Cable
- 5** Power Button (On/Off)



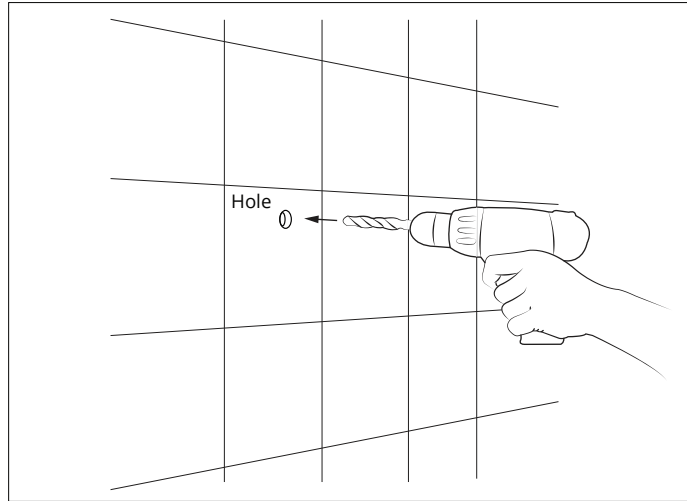
Back

Ocea Style Smart Bathroom TV - Installation Manual



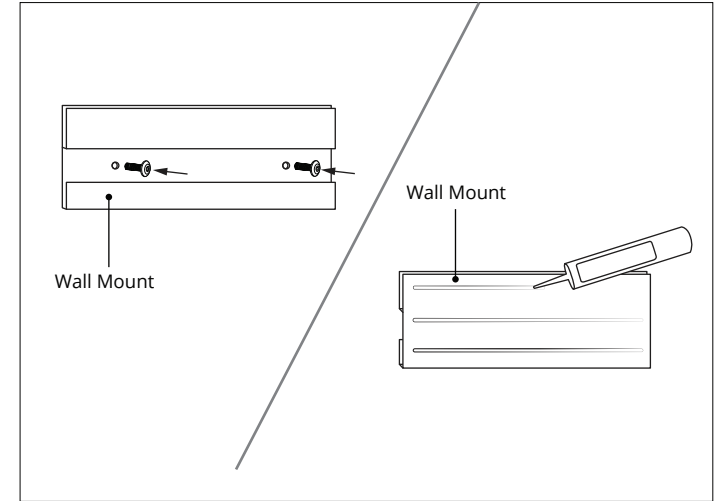
1 Check the Items

Upon receiving your order, open the crate and inspect the contents. Damages must be reported within 24 hours.



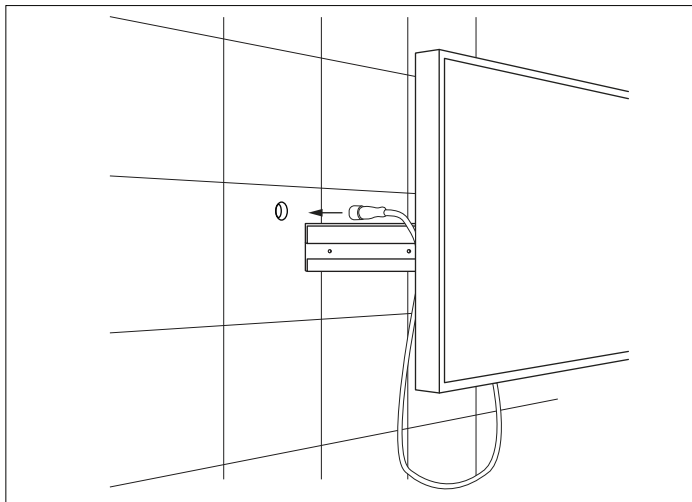
2 Drill a Hole

Drill a hole on the wall for the waterproof connector.



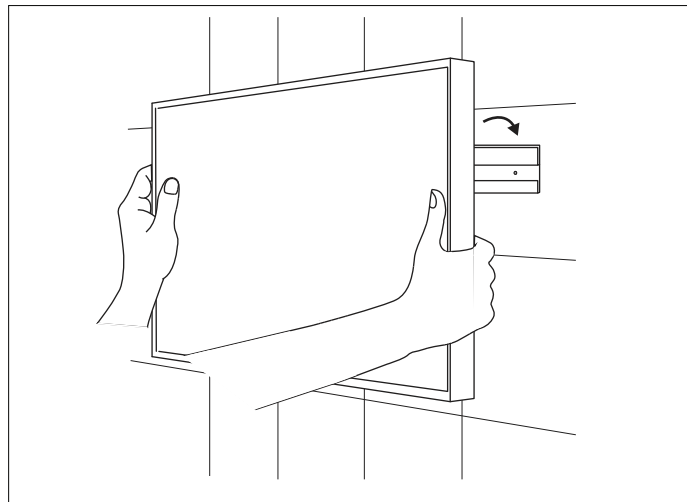
3 Attach the Bracket to the Wall

You can either attach the bracket on the wall by screwing the mount or by gluing the mount on the wall.



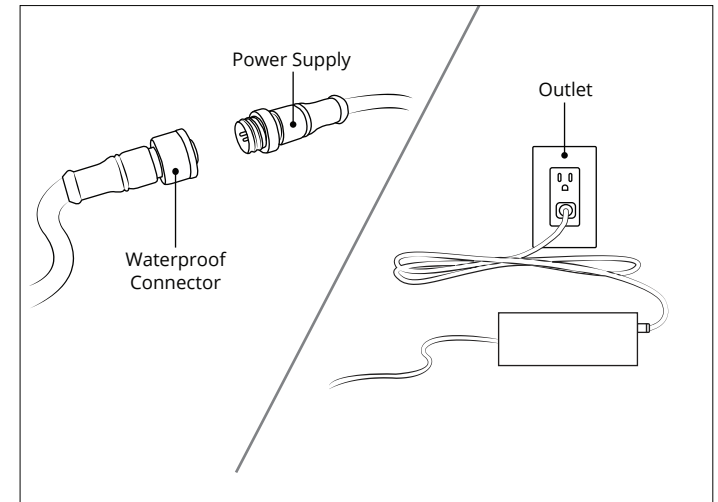
4 Insert the Waterproof Connector

Put the waterproof connector into the hole.



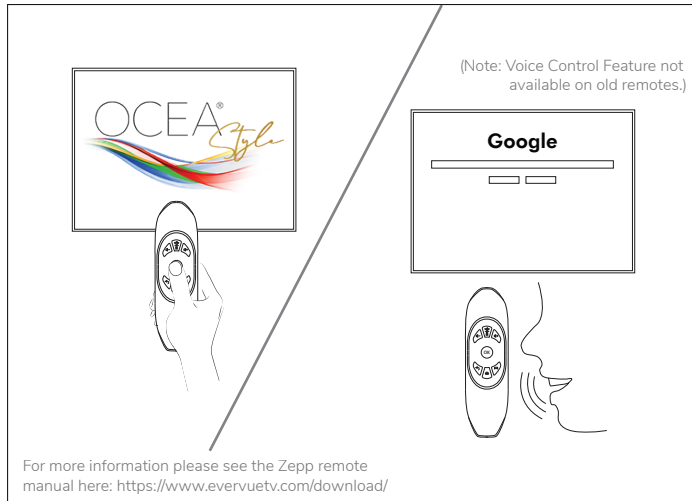
5 Hang the TV to the Wall

Lift the TV and hang it to the bracket you attached on the wall.



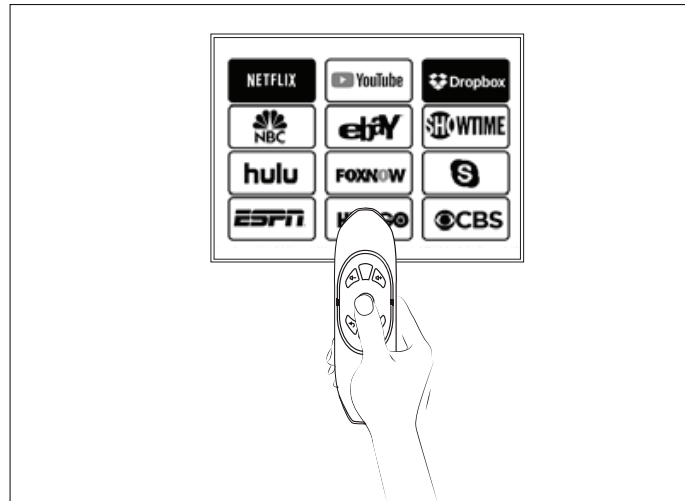
6 Connect the Waterproof Connector and the Power Supply

Connect the waterproof connector and the power supply. Then plug in the power cable into the outlet.



7 Turn On and Control your TV

Using the Zepp remote, press the mic/mouse button for 5 seconds to turn the remote on. You can either use the remote as a mouse to control the cursor on the screen (old remotes) or use the voice command with the built-in microphone in the remote (new remotes).



8 Personalize your Ocea Style

Your Ocea Style is ready. Use the Zepp remote to navigate the TV, install and manage apps, and personalize your Ocea Style.