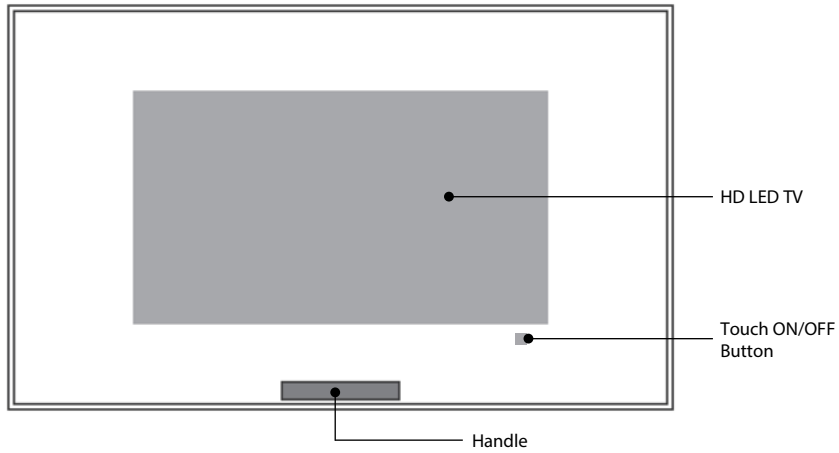
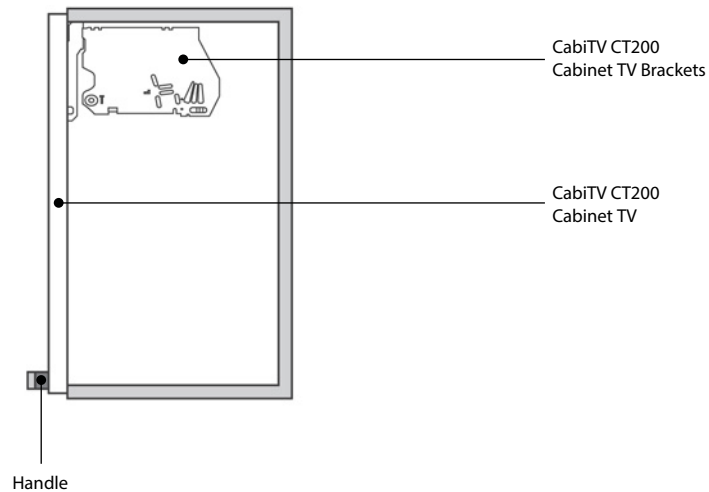


## PARTS

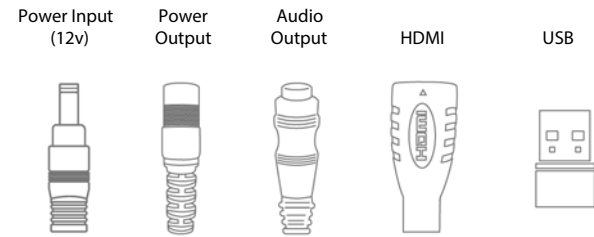
Front View of CabiTV CT200



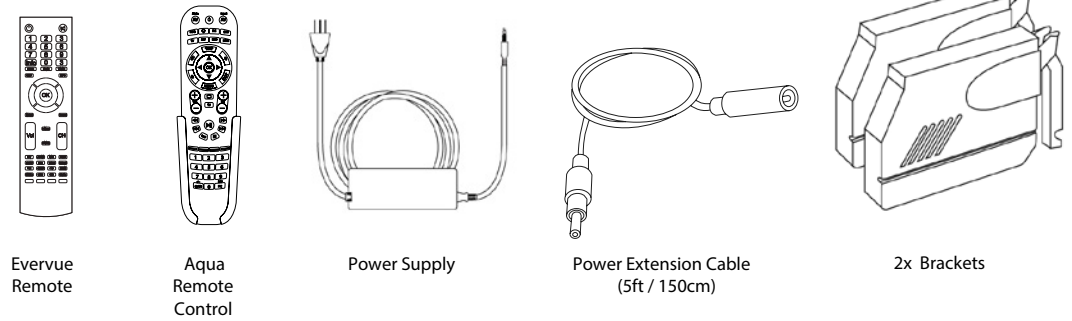
Right Side View of CabiTV CT200



## TV Ports



## Accessories

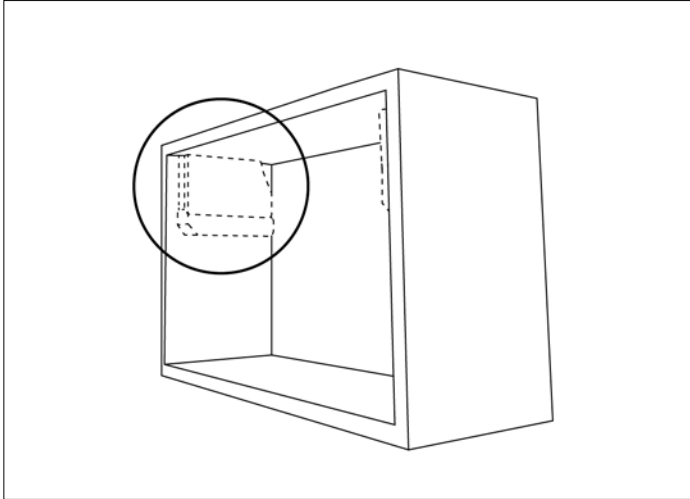


### 1

## Unboxing

Upon receiving your order, open the crate and inspect the content.

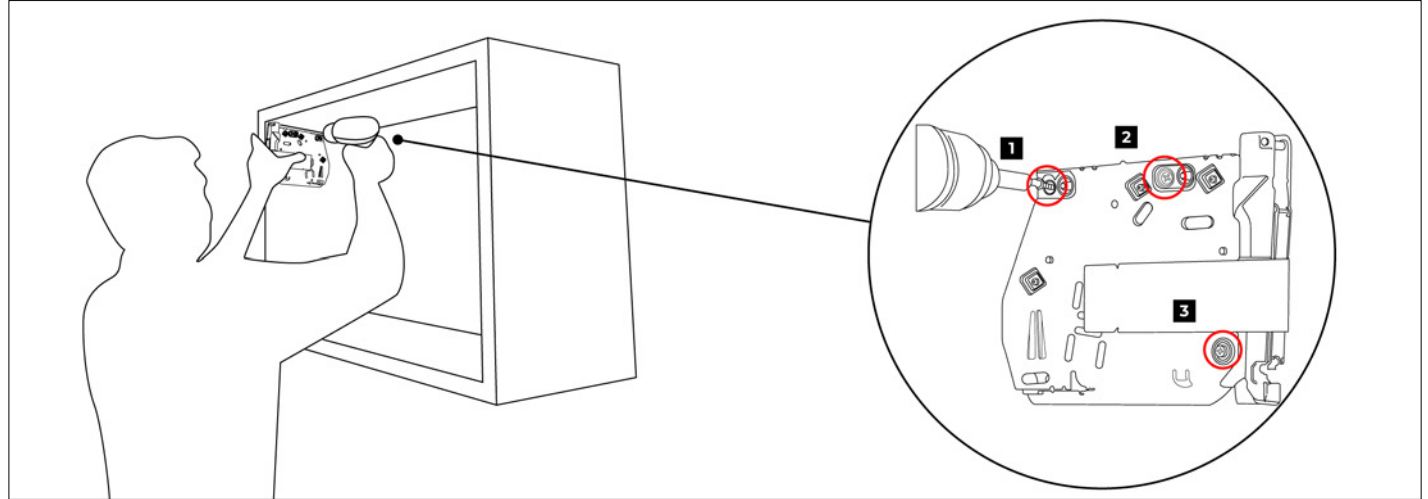
Damages must be reported within 24 hours.



## 2 Plan the Installation of CabiTV CT200

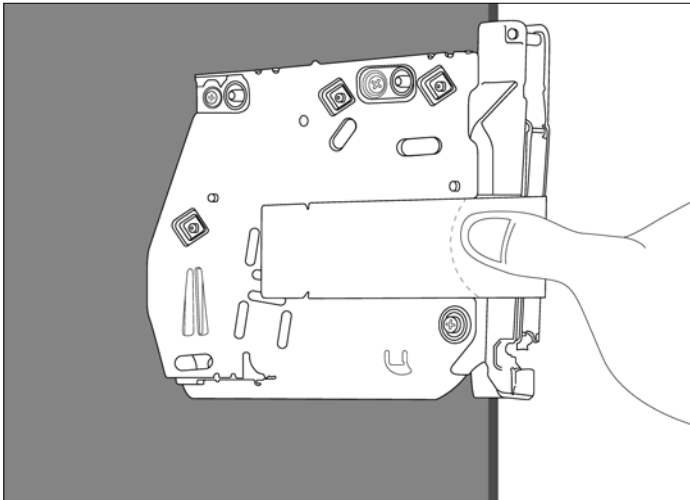
Plan where you will install the CabiTV CT200. The unit is custom made to fit in your cabinet.

*Note: Install the bracket exactly on the right location.*



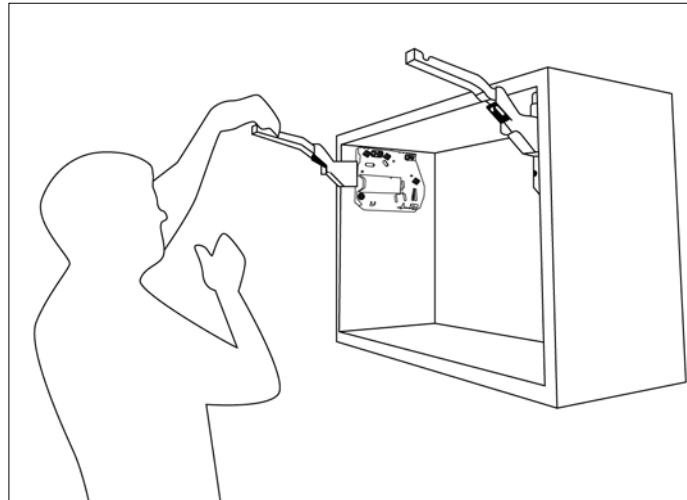
## 3 Install the Brackets

Install the brackets inside the cabinet. Screw the brackets on the points shown above.



## 4 Remove the Seal

Remove the seal of the bracket by pressing it inwards. Pull off the seal afterwards.



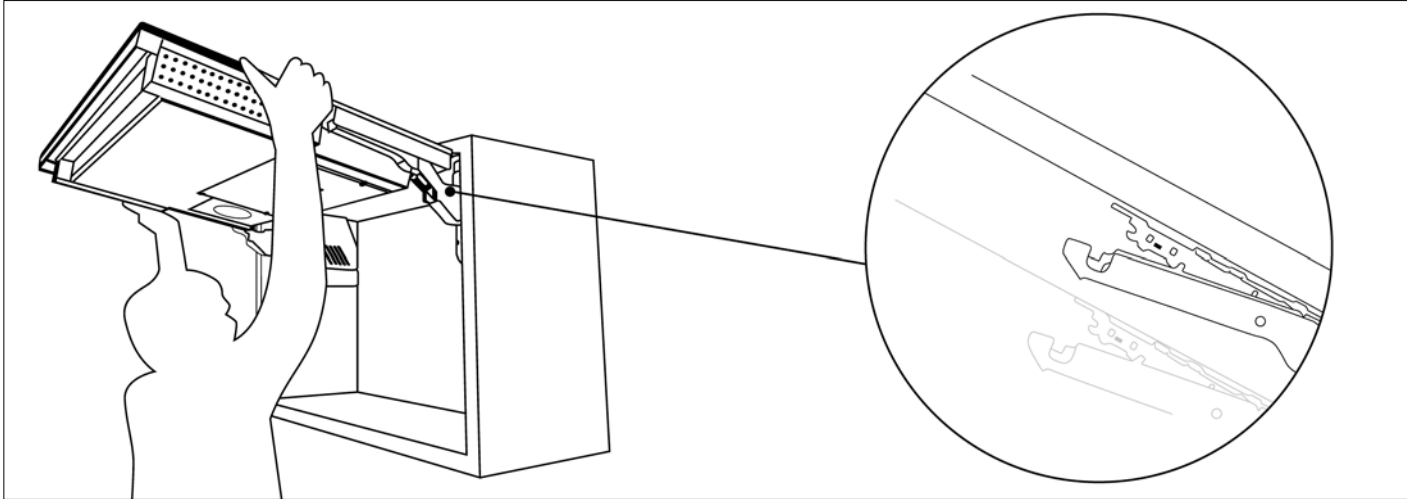
## 5 Pull the Arm Brackets

Pull the arm brackets gently towards you.



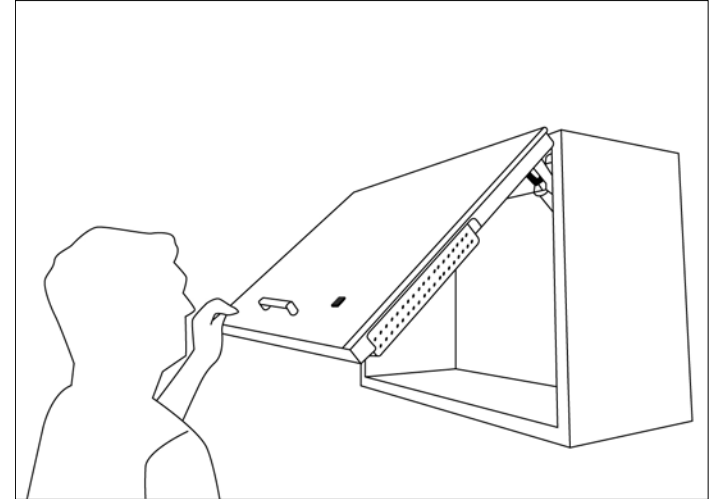
## 6 Safety Precaution: Lever Springs Upward

There is a danger of injury if the lever springs upward. After opening, do not push down on the lever.



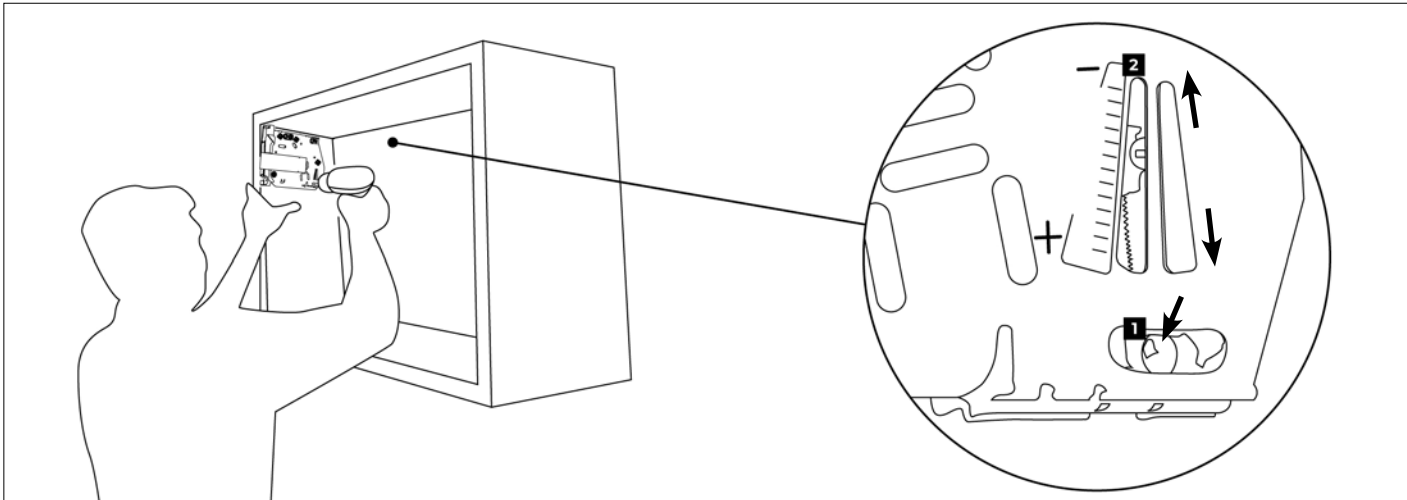
## 6 Attach the CabiTV CT200

Make sure that the arm brackets "click" into the TV unit. Ask for assistance when attaching the CabiTV CT200 to avoid injuries.



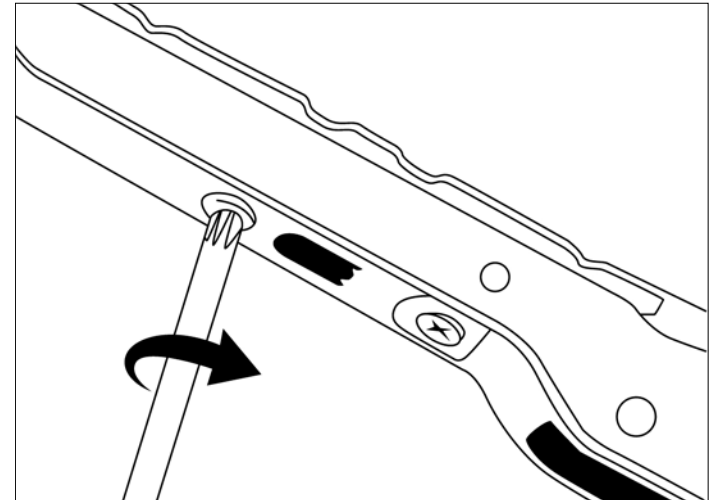
## 7 Test the CabiTV CT200

Test the CT200 by closing and opening a few times.



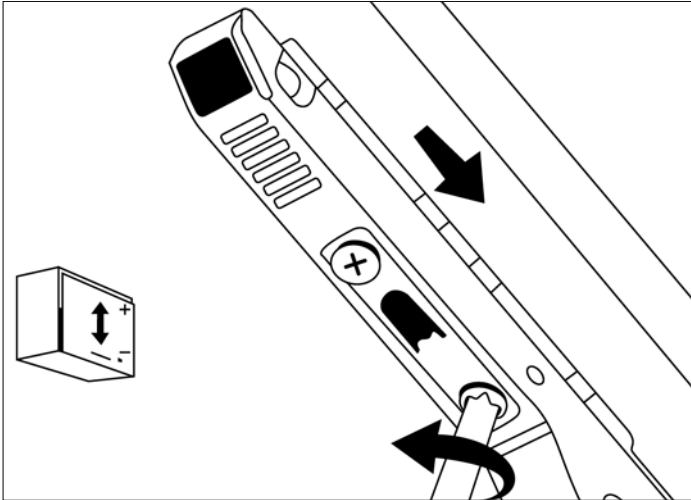
## 8 Adjust the Strength of Arm Brackets

With the screw provided, you can adjust the CabiTV up and down to make it fit.

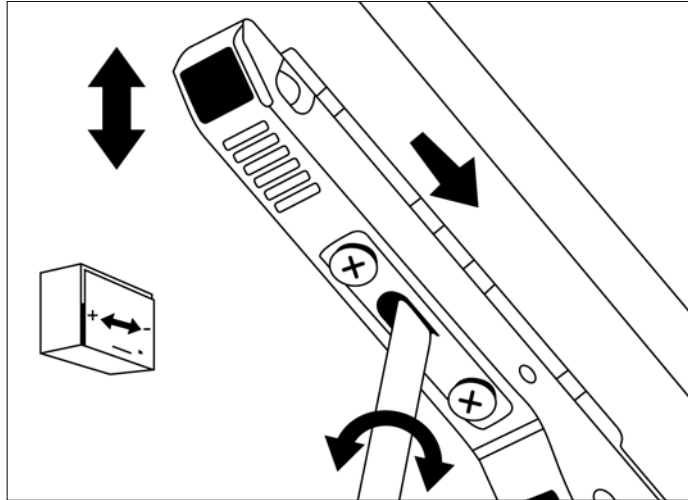


## 9 Tighten Screws

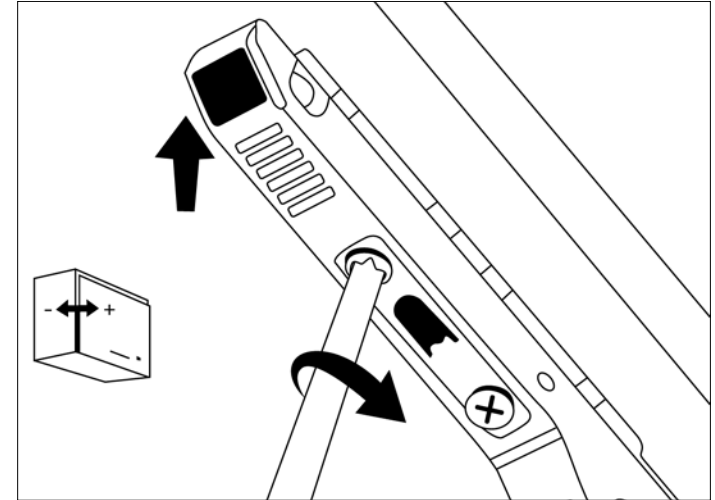
Tighten the screws on both arms.



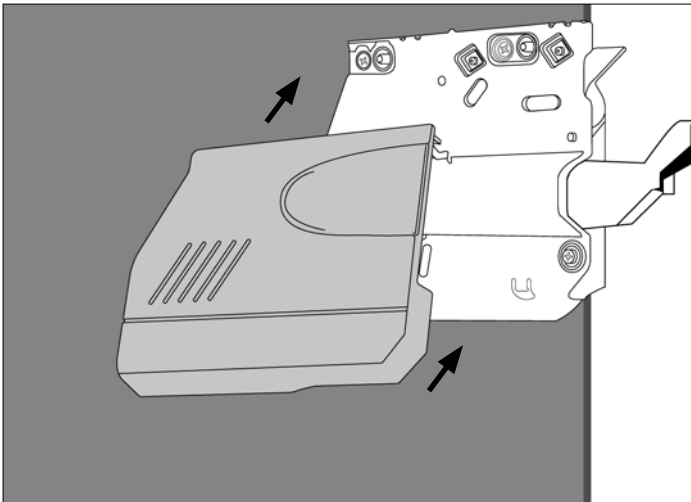
**10 Adjust the CabiTV Up and Down**  
With the screw provided, you can adjust the CabiTV up and down to make it fit.



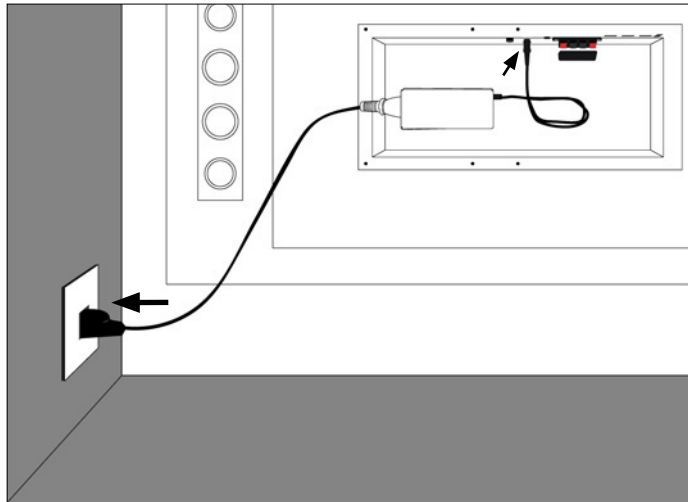
**11 Adjust the CabiTV Left and Right**  
With the screw provided, you can adjust the CabiTV left and right to make it fit.



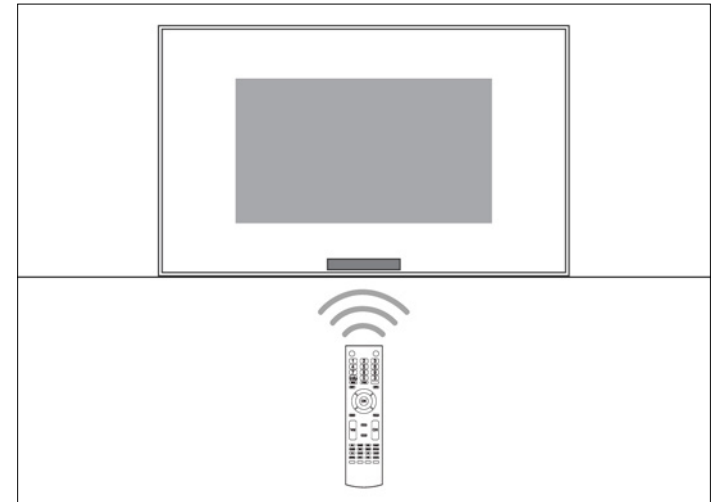
**12 Adjust CabiTV when Closing**  
With the screw provided, you can move the CabiTV towards you in closed position.



**13 Cover the Brackets**  
Cover the brackets after attaching the brackets with its plastic case.



**14 Plug the Power Supply**  
Plug in the power supply of the CabiTV or plug in the HDMI or VGA depending on the configuration.



**15 CabiTV CT200 is Ready**  
Turn the CabiTV on using the Evervue remote or press the power button on the front of the screen.