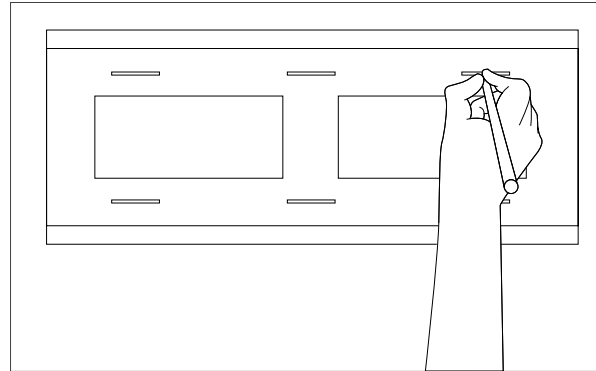


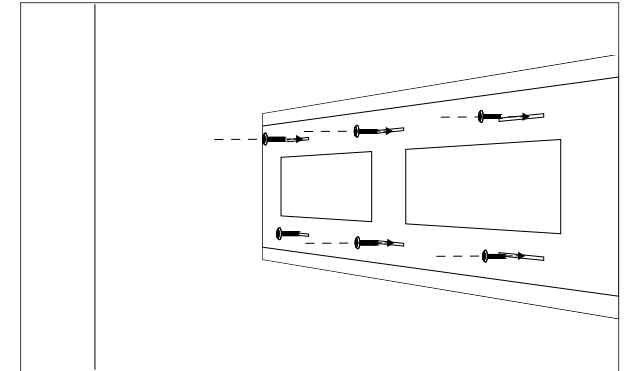
## 1 Check Items

Upon receiving your order, open the crate and inspect the content. Damages must be reported within 24 hours.



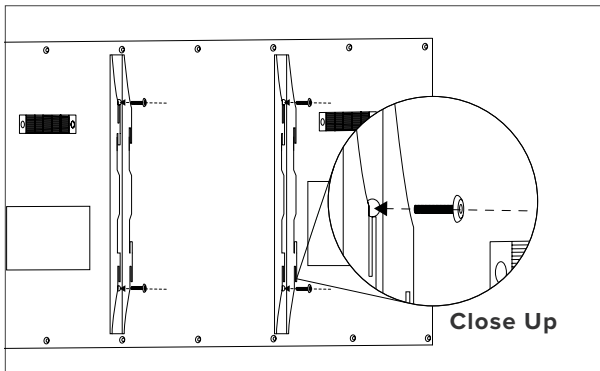
## 2 Mark and Drill your wall

Mark the place where the frame of your mount will be located. Drill holes on the wall where the screws of the base would be.



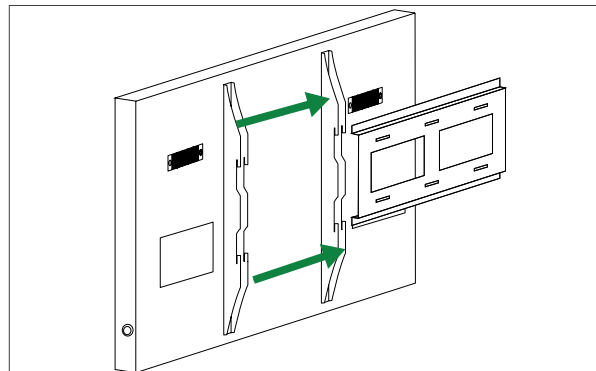
## 3 Attach the mounting frame

Screw the mounting frame to the wall you prepared earlier.



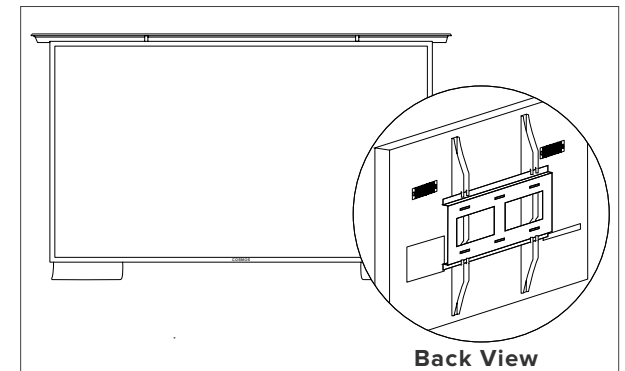
## 4 Attach the brackets to the TV

Attach the mounting rails to the back of your TV.



## 5 Slide the Brackets to the Frame

Hang the TV to the mount by sliding the hollow part of the mounting rails into the frame.



## 6 Finished

Done. Your TV is ready to Use.