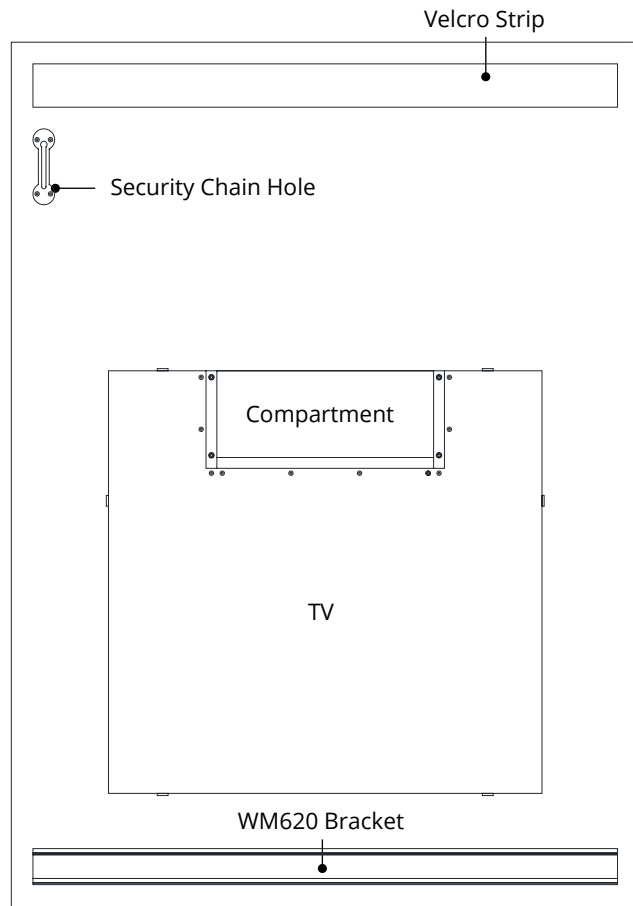
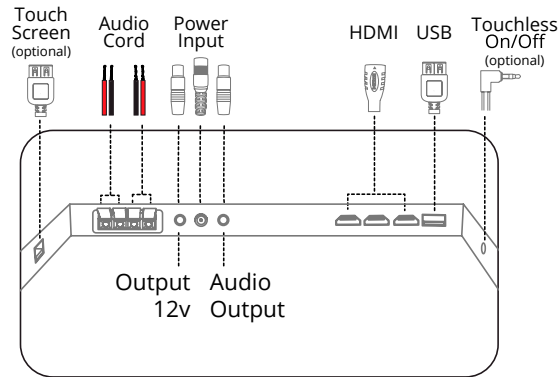


Parts

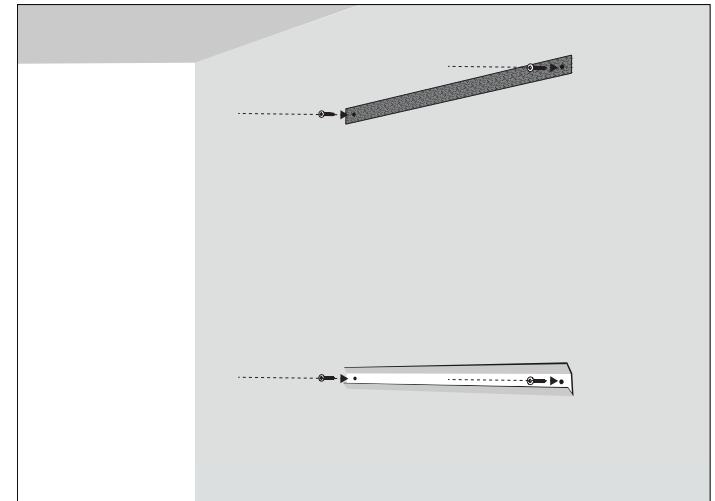
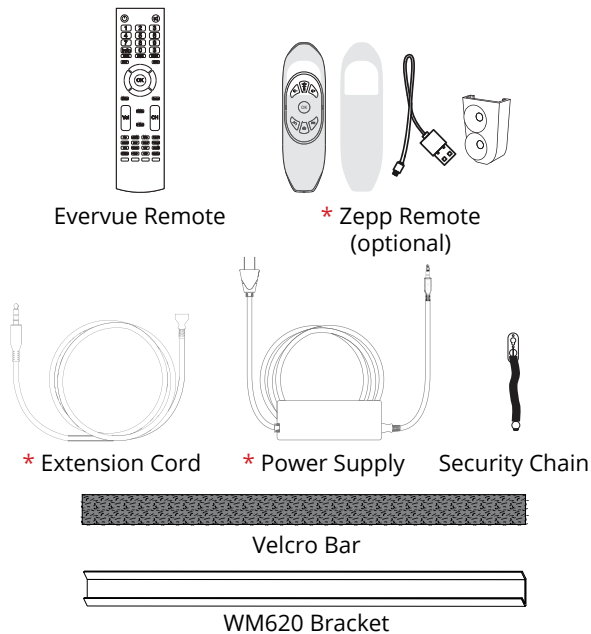
Back of MirrorVue



Ports

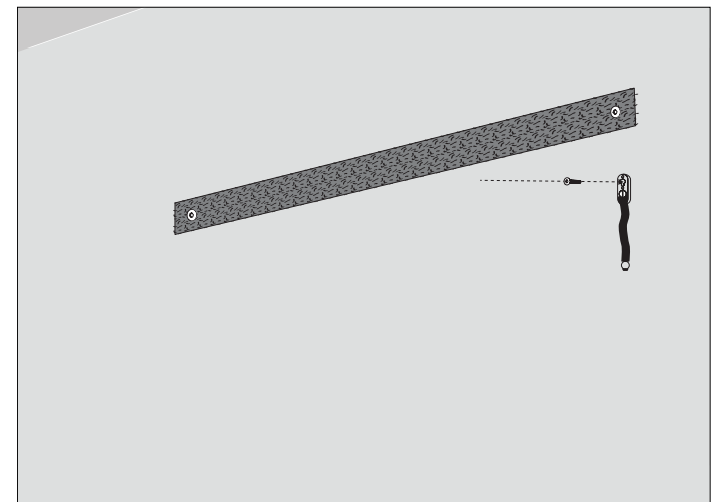


Accessories



2 Install the Mounts on the Wall

Plan where you're going to install your TV. Mark the wall where your bracket and your velcro would be mounted, then drill holes into it. Screw the both of them onto the wall.



3 Install the Security Chain

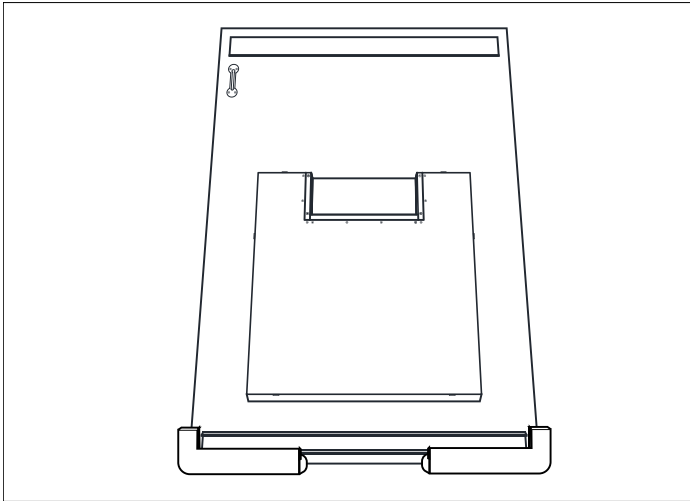
Using a screwdriver, attach the security chain to the wall.

1 Unboxing

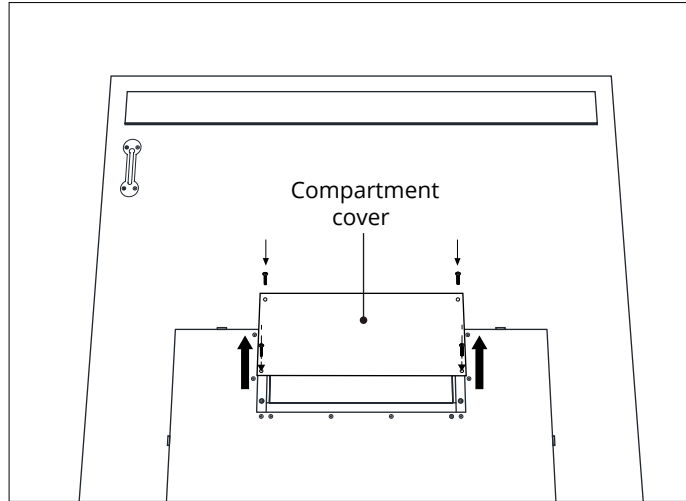
Upon receiving your order, open the crate and inspect the contents. Damages must be reported within 24 hours.

* Note: If the mirror is touchscreen, a Zepp remote will be included.

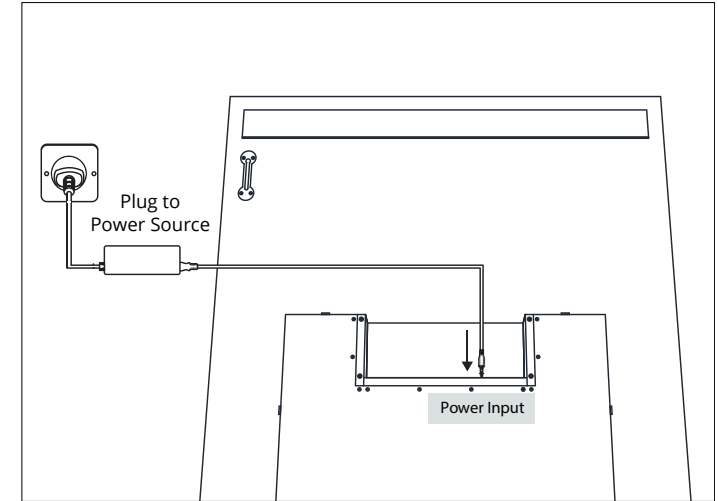
If lights are integrated into the mirror, a separate power supply and extension cord will be provided for it.



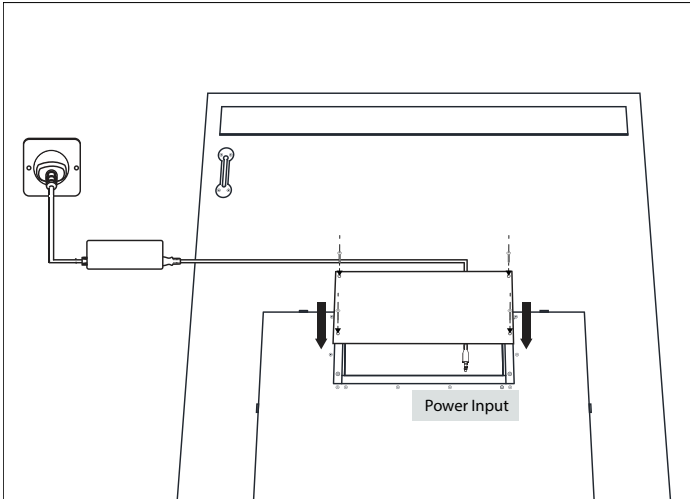
4 Lay the Mirror on Flat Padded Surface
Lay the mirror down on a flat, soft surface to avoid damages or scratches.



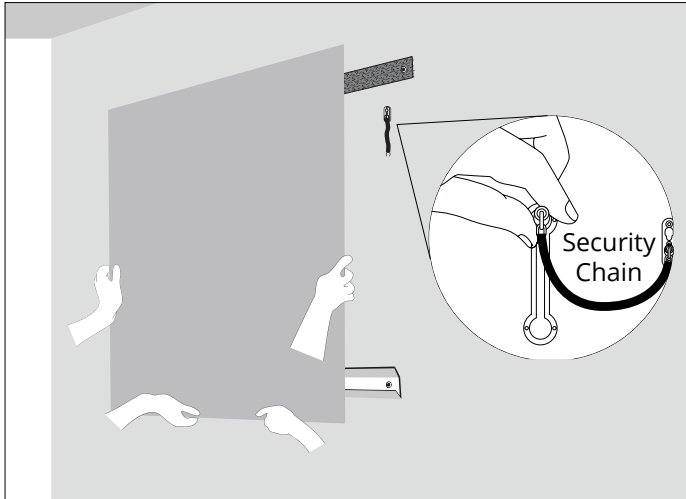
5 Remove the Compartment Cover
Remove the protective cover from the compartment.



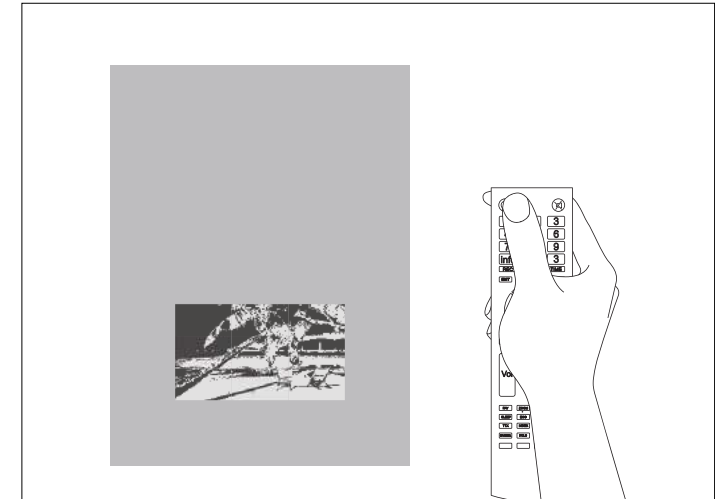
6 Plug the Power Cord
Connect the power supply to the power input port located at the back of the TV and plug the other end to your power source.



7 Re-attach the Compartment Cover
Re-attach the protective cover to compartment.



8 Hang Mirror on the Wall
Carefully lift the mirror and securely engage the mounting bracket and the velcro at the back of the mirror to the bracket and velcro installed on the wall. Then insert the dangling end of the security chain to the security chain hole at the back of the mirror.



9 Personalize your MirrorVue
Turn the MirrorVue on using the Evervue remote and personalize your mirror.