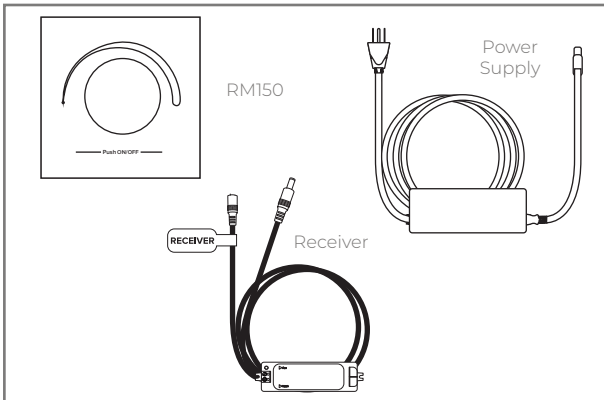
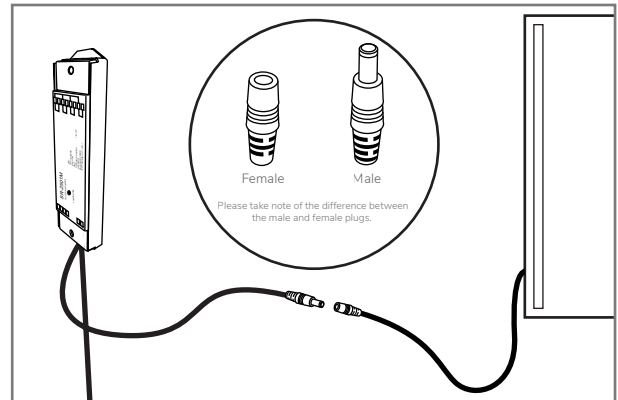


Instruction Manual



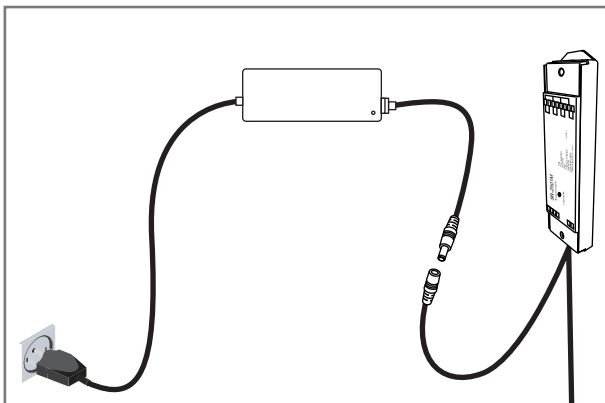
1 Check the items after receiving

Before installing, check to ensure that you have received all the package contents.



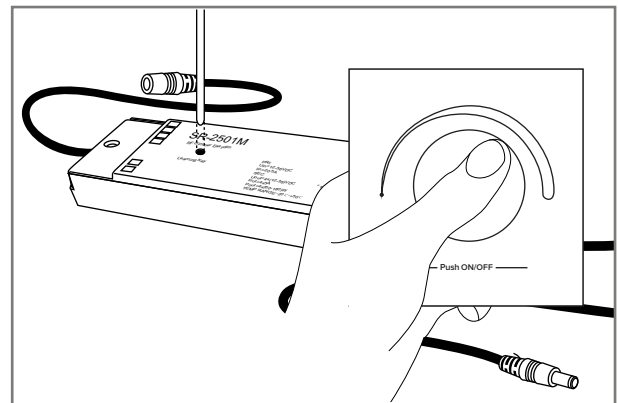
2 Connect the Receiver and the Mirror.

Take the end of the receiver with the male plug and connect it with the female plug of the mirror.



3 Connect the Receiver and the Power Supply

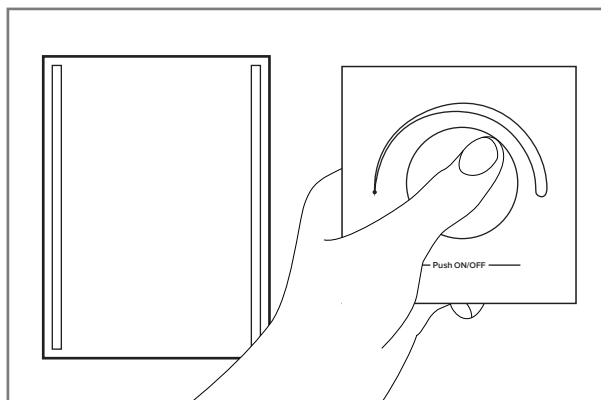
Take the female end of the receiver and connect it with the male plug of the power supply. Then plug the power supply to the power source.



4 Match the Remote and the Receiver.

Press the Learning Key button on the receiver. Then immediately press the knob on the remote to pair it up with the receiver.

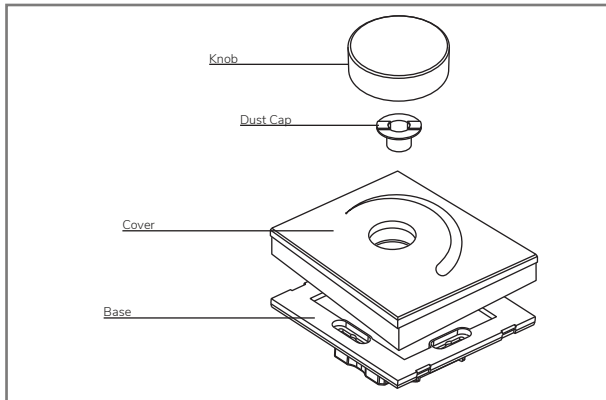
(Note: Immediately let go of the learning key button after pressing it. Long pressing this button will reset the remote to factory settings.)



5 Finished.

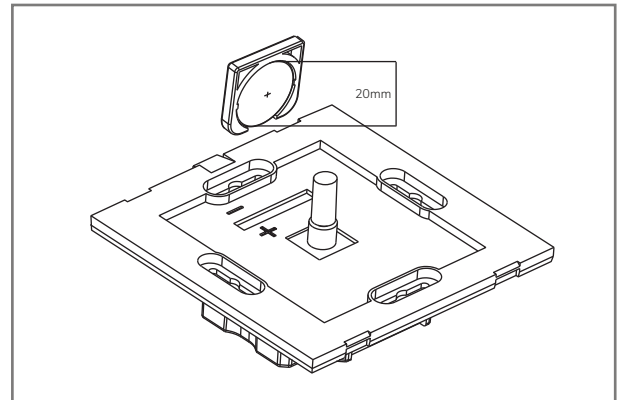
Your Remote is connected and ready to use.

Change Battery



1 Open the Dimmer.

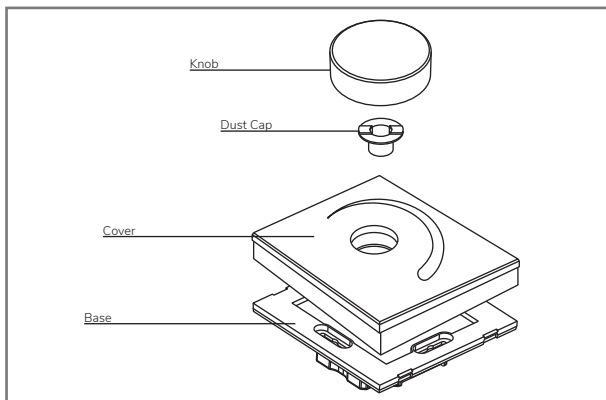
Carefully remove the parts of the dimmer piece by piece. Start with the knob followed by the dust cap then the cover.



2 Insert a 20mm Coin Cell Battery

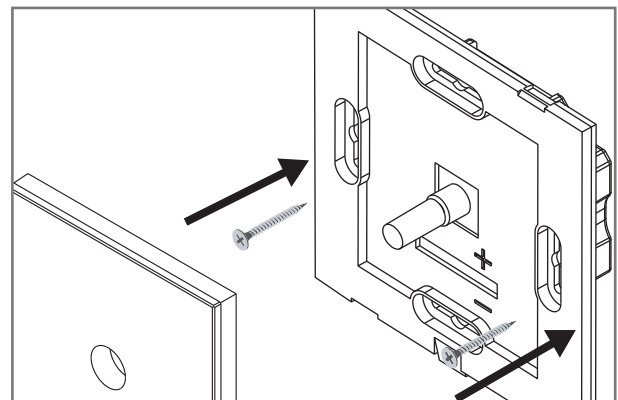
Insert a 20mm Coin Cell Battery into the remote. Ensure that the battery is placed correctly to match the corresponding positive or negative sign, otherwise it would not work.

Attaching the remote to a wall



1 Open the Dimmer.

Carefully remove the parts of the dimmer piece by piece. Start with the knob followed by the dust cap then the cover.



2 Screw the base to the wall.

Take the base of the dimmer and screw it securely on the wall. Then proceed to assembling the dimmer back.