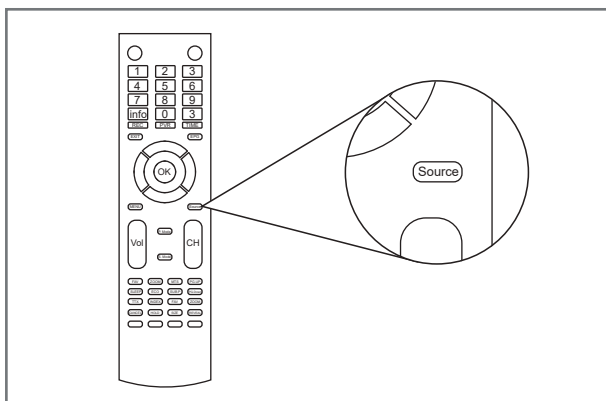


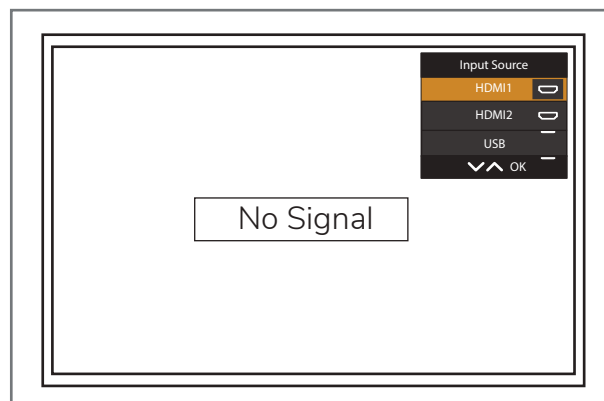
Power On Settings (4K TV System)

Step by step Manual



1 Press the Source button

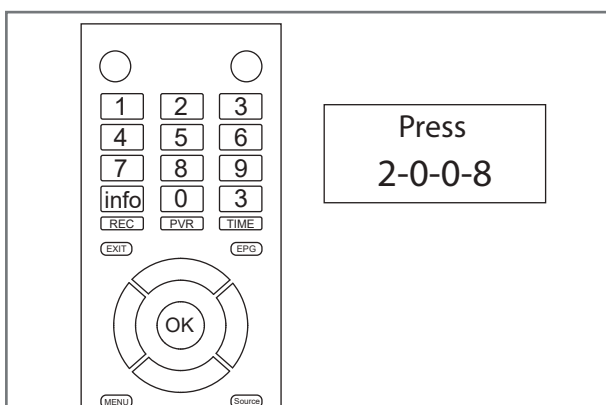
Find and press the "Source" button on the remote.



2 Highlight the HDMI1 input

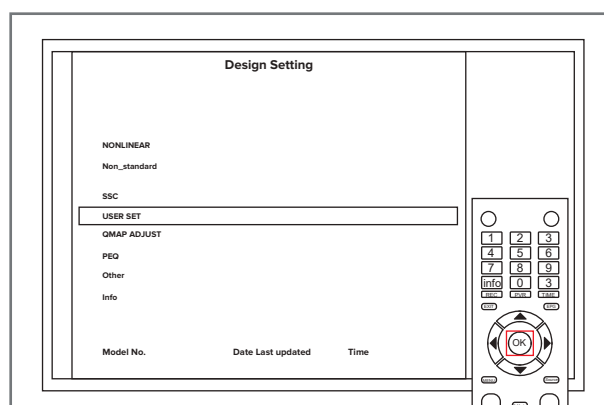
An input source menu would pop up at the top right portion of your screen. Highlight the HDMI1 option but do not press it.

(Note: If the HDMI1 button is accidentally pressed, press the "Exit" button and go back to step 2.)



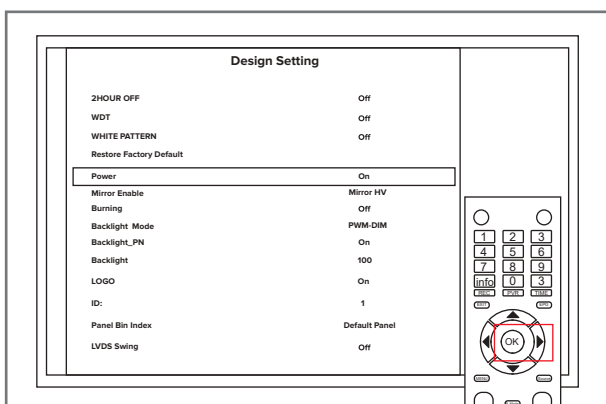
3 Press 2-0-0-8

Slowly press the numbers 2-0-0-8 on the remote to bring the "Design settings" up.



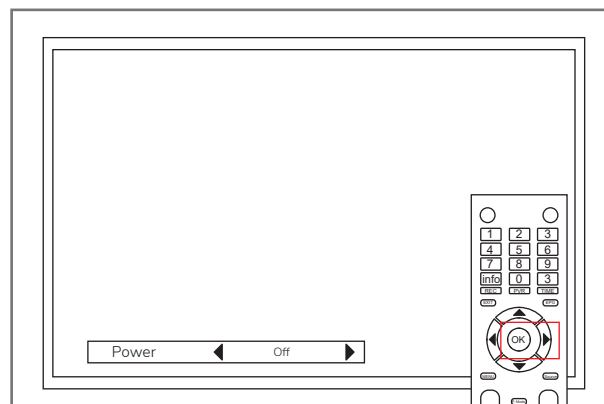
4 Press User Set

Under "Design Settings" highlight "User Set" and press "OK".



5 Choose Power

Under "User Set" highlight "Power". Then press the right arrow button on the remote.



6 Set power to off

Press the right arrow button twice or until the power settings (Displayed on the bottom of the screen) changes to "off".