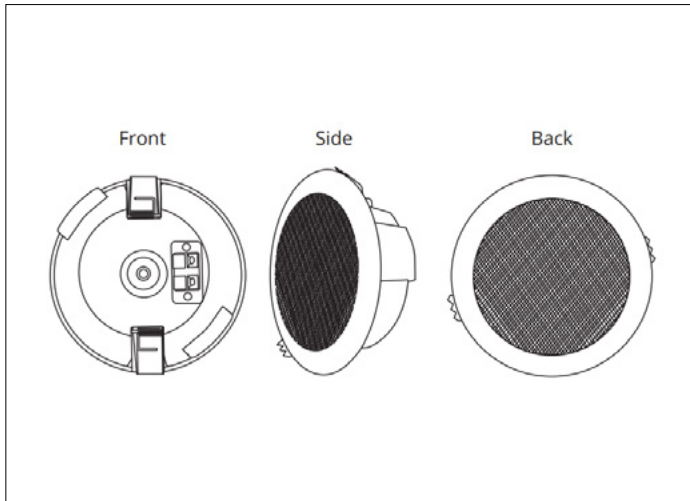
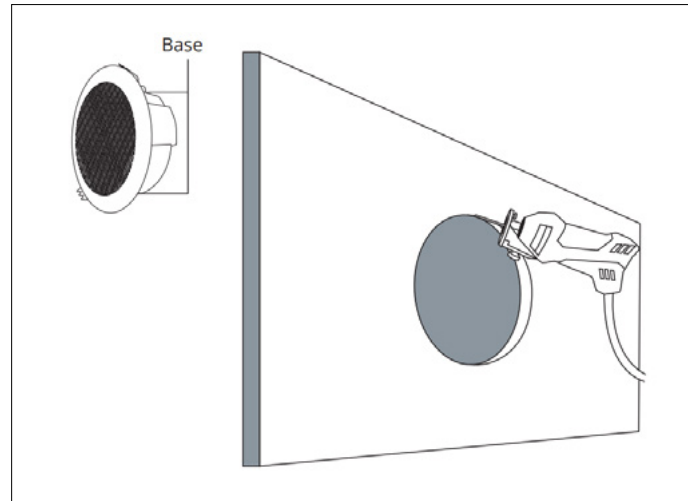


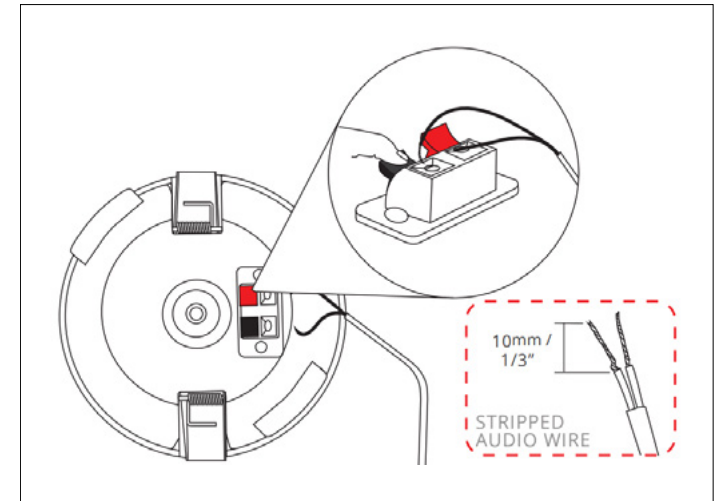
# SoundWave (SW-50) Installation Instructions



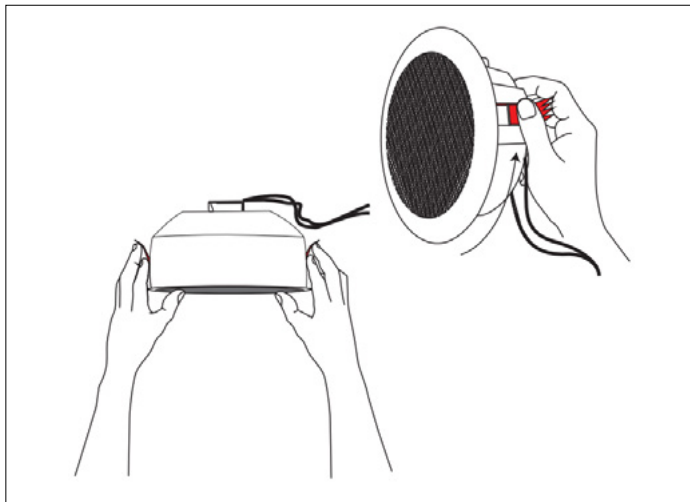
**1** Inspect the item after receiving it to make sure there are no damages.



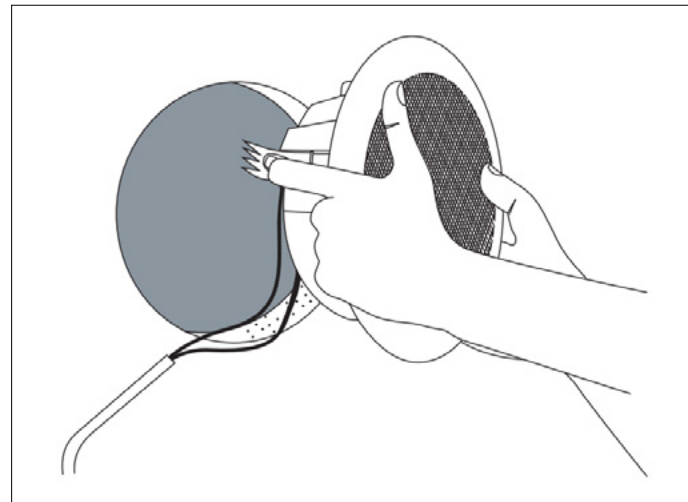
**2** Cut an opening in the wall or ceiling where the speaker will be placed. Note that the size of the opening should be a little wider than the inner base of the speaker.



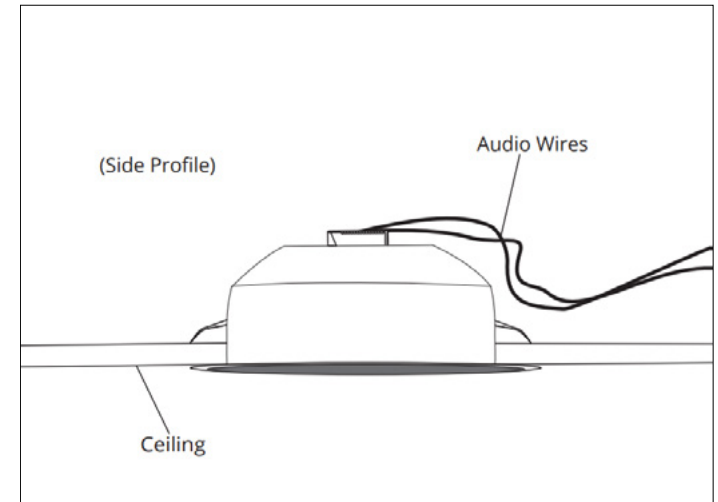
**3** At the back of the speaker there is a red and black clip. Take your audio wires and strip them to about 10mm or 1/3 inch. Press the black clip and insert the stripped audio cord in the hole that would open up. Then do the same for the red clip.



**4** Pull the clip on both sides of the speaker. This will hold the speaker in place.



**5** Push the speaker through the opening you prepared.



**6** Done! Your SW50 speaker is ready to use.