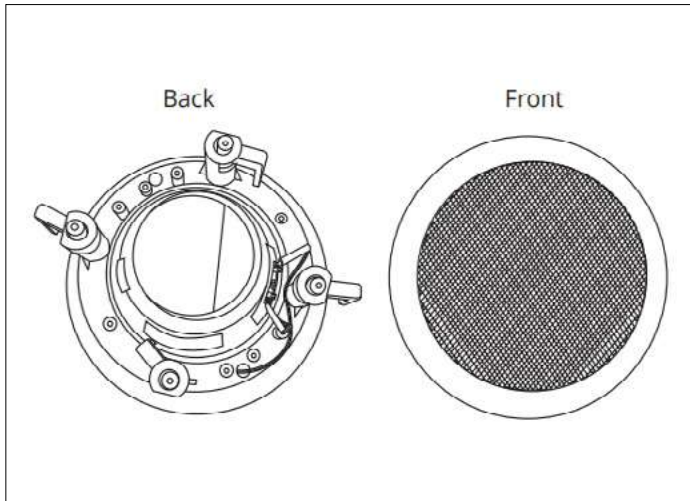
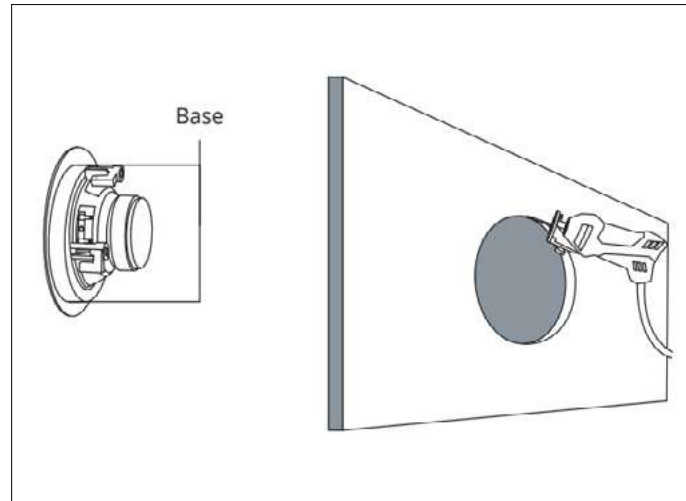


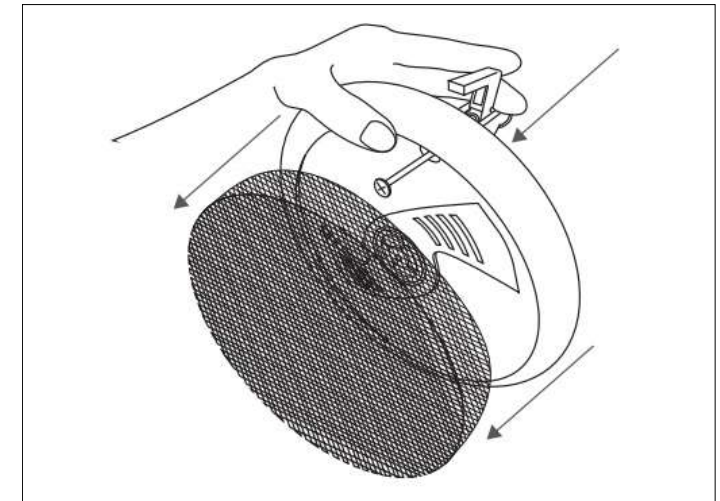
# SoundWave (SW-80) Installation Instructions



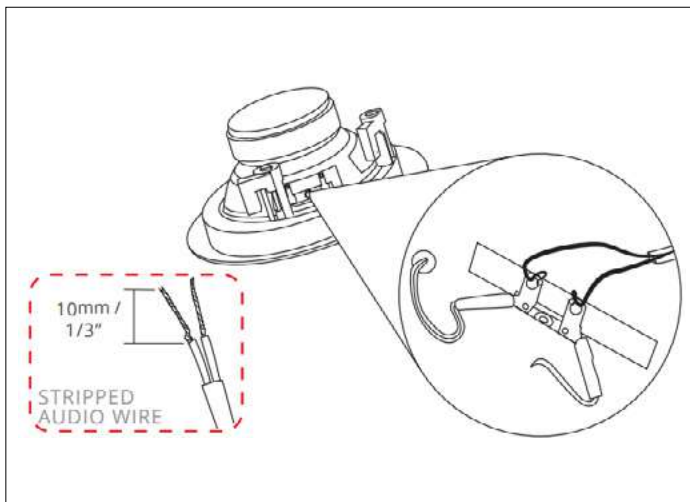
**1** Inspect the item after receiving it to make sure there are no damages.



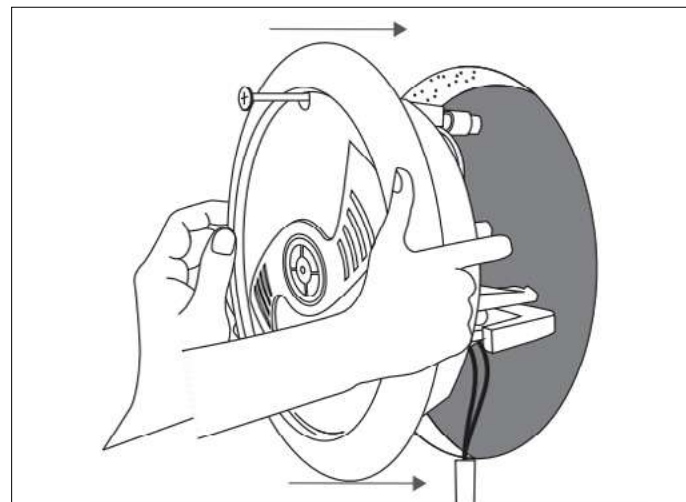
**2** Cut an opening in the wall or ceiling where the speaker will be placed. Note that the size of the opening should be a little wider than the inner base of the speaker.



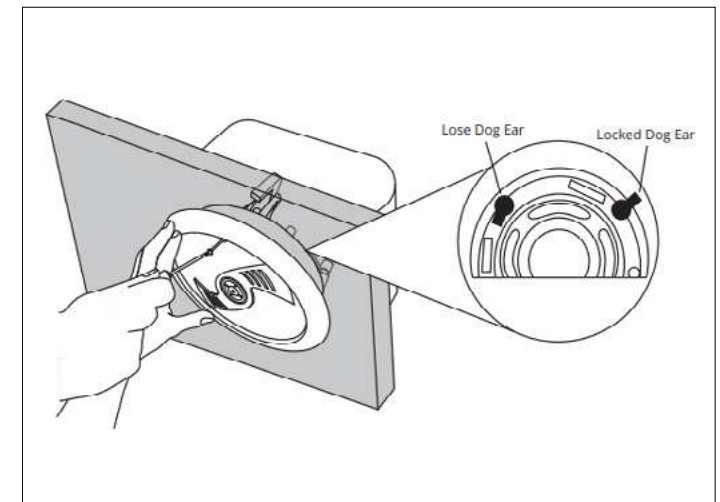
**3** Take the speaker and push one of the dog tags at the back really hard to force the front cover of the speaker out.



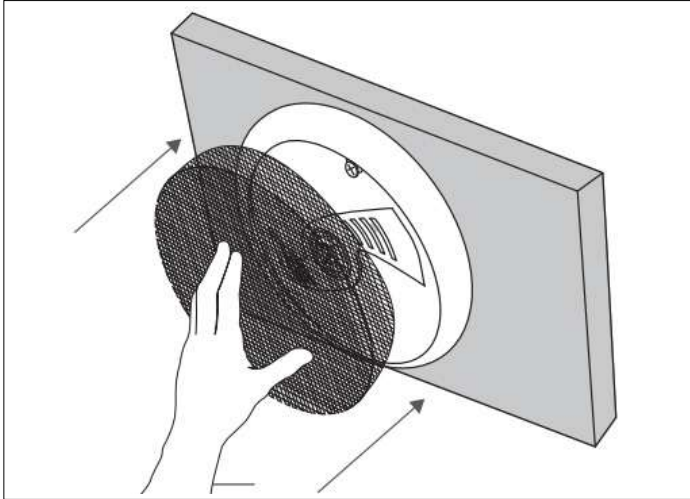
**4** Flip the speaker to its back. Take your audio wires and strip them to about 10mm or 1/3 of an inch. Attach the stripped audio wires to the metal holes and secure them by soldering them.



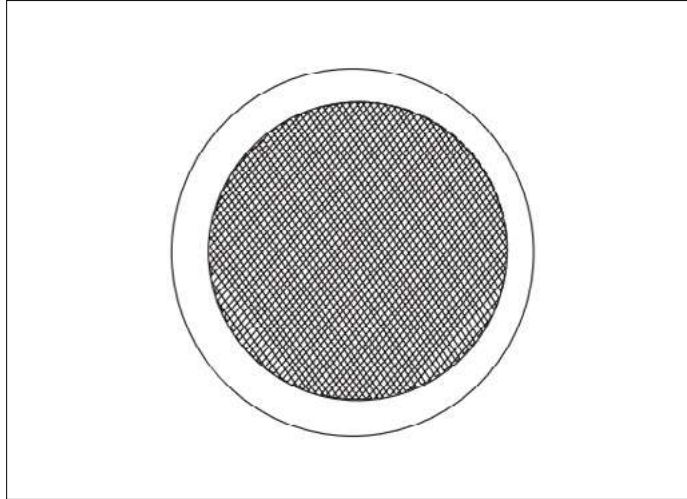
**5** Push the speaker through the opening you prepared.



**6** Tighten the dog-ear brackets by simply turning the screws inside the speaker's inner body. Use a philips head screwdriver to turn the screws slowly clockwise. The quick-turn mounting system and frame will "sandwich" or clamp around the wall to hold the speaker securely in place.



**7** Once the speaker is already attached to the wall, place the front cover on the speaker.



**8** Done! Your SW80 speaker ready to use.